

STIHL®

STIHL BT 130

Instruction Manual
Manual de instrucciones



WARNING

Read Instruction Manual thoroughly before use and follow all safety precautions – improper use can cause serious or fatal injury.

ADVERTENCIA

Antes de usar la máquina lea y siga todas las precauciones de seguridad dadas en el manual de instrucciones – el uso incorrecto puede causar lesiones graves o mortales.



Instruction Manual

1 - 30

Manual de instrucciones

31 - 62

Contents

Guide to Using this Manual	2
Safety Precautions and Working Techniques	2
Assembling the Unit	10
Adjusting the Throttle Cable	11
Fuel	11
Fueling	12
Auger Brake	13
Fitting the Auger	14
Starting / Stopping the Engine	14
Operating Instructions	17
Releasing a Trapped Auger	17
Replacing the Air Filter	18
Engine Management	18
Adjusting the Carburetor	18
Spark Plug	19
Engine Running Behavior	20
Lubricating the Gearbox	20
Storing the Machine	21
Inspections and Maintenance by Dealer	21
Maintenance and Care	22
Main Parts	24
Specifications	25
Maintenance and Repairs	26
Disposal	27
STIHL Incorporated Federal Emission Control Warranty Statement	27
Trademarks	29

Allow only persons who fully understand this manual to operate your earth auger.

To receive maximum performance and satisfaction from your STIHL earth auger, it is important that you read, understand and follow the safety precautions and the operating and maintenance instructions in chapter "Safety Precautions and Working Techniques" before using your earth auger. For further information you can go to www.stihlusa.com

Contact your STIHL dealer or the STIHL distributor for your area if you do not understand any of the instructions in this manual.

WARNING

Because an earth auger is a high-torque, gasoline-powered tool, some special safety precautions must be observed to reduce the risk of personal injury. Careless or improper use may cause serious or even fatal injury.

STIHL®

Guide to Using this Manual

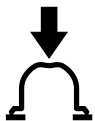
Pictograms

The meanings of the pictograms attached to or embossed on the machine are explained in this manual.

Depending on the model concerned, the following pictograms may be on your machine.



Fuel tank for gasoline and engine oil mixture



Press to operate manual fuel pump



Auger brake

Symbols in Text

Many operating and safety instructions are supported by illustrations.

The individual steps or procedures described in the manual may be marked in different ways:

- A bullet marks a step or procedure.

A description of a step or procedure that refers directly to an illustration may contain item numbers that appear in the illustration. Example:

- Loosen the screw (1).
- Lever (2) ...

In addition to the operating instructions, this manual may contain paragraphs that require your special attention. Such paragraphs are marked with the symbols and signal words described below:



DANGER

Indicates an imminent risk of severe or fatal injury.



WARNING

Indicates a hazardous situation which, if not avoided, could result in severe or fatal injury.

NOTICE

Indicates a risk of property damage, including damage to the machine or its individual components.

Engineering Improvements

STIHL's philosophy is to continually improve all of its products. As a result, engineering changes and improvements are made from time to time. Therefore, some changes, modifications and improvements may not be covered in this manual. If the operating characteristics or the appearance of your machine differs from those described in this manual, please contact your STIHL dealer or the STIHL distributor for your area for assistance.

Safety Precautions and Working Techniques



Because an earth auger is a high-torque, gasoline-powered tool, some special safety precautions must be observed to reduce the risk of personal injury.



It is important that you read, fully understand and observe the following safety precautions and warnings. Read the instruction manual and the safety precautions periodically. Careless or improper use may cause serious or fatal injury.

Have your STIHL dealer show you how to operate your power tool. Observe all applicable federal, state and local safety regulations, standards and ordinances.



DANGER



Drilling into or contact with electrical wires may cause severe shock, burns or death. See the section "Working Conditions" below.



WARNING

Striking a hard object in the earth with the turning drill and the resulting slowing or stopping of the auger creates reactive forces. The transfer of rotational (reactive) forces can cause the auger powerhead and handles to rotate suddenly in a counterclockwise direction

and can result in loss of control or cause the handle frame to hit the operator or throw him to the ground, resulting in serious injury.

WARNING

Do not lend or rent your power tool without the instruction manual. Be sure that anyone using it understands the information contained in this manual.

WARNING

The use of this machine may be hazardous. If the drilling tool comes in contact with your body, it could cause impact or cut injuries.

Use your earth auger only for drilling holes in soil (with earth auger attachments) or ice (with ice auger attachments).

WARNING

Do not use it for other purposes, since misuse may result in personal injury or property damage, including damage to the machine.

WARNING

Minors should never be allowed to use this power tool. Bystanders, especially children, and animals should not be allowed in the area where it is in use.

WARNING

To reduce the risk of injury to bystanders and damage to property, never let your power tool run unattended. When it is

not in use (e.g. during a work break), shut it off and make sure that unauthorized persons do not use it.

Most of these safety precautions and warnings apply to the use of all STIHL earth augers. Different models may have different parts and controls. See the appropriate section of your instruction manual for a description of the controls and the function of the parts of your model.

Safe use of an earth auger involves

- 1 the operator
- 2 the power tool
- 3 the use of the power tool.

THE OPERATOR

Physical Condition

You must be in good physical condition and mental health and not under the influence of any substance (drugs, alcohol, etc.) which might impair vision, dexterity or judgment. Do not operate this machine when you are fatigued.

WARNING

Be alert – if you get tired, take a break. Tiredness may result in loss of control. Working with any power tool can be strenuous. If you have any condition that might be aggravated by strenuous work, check with your doctor before operating this power tool.

WARNING

Prolonged use of a power tool (or other machines) exposing the operator to vibrations may produce whitefinger disease (Raynaud's phenomenon) or carpal tunnel syndrome.

These conditions reduce the hand's ability to feel and regulate temperature, produce numbness and burning sensations and may cause nerve and circulation damage and tissue necrosis.

All factors which contribute to whitefinger disease are not known, but cold weather, smoking and diseases or physical conditions that affect blood vessels and blood transport, as well as high vibration levels and long periods of exposure to vibration are mentioned as factors in the development of whitefinger disease. In order to reduce the risk of whitefinger disease and carpal tunnel syndrome, please note the following:

Most STIHL power tools are available with an anti-vibration ("AV") system designed to reduce the transmission of vibrations created by the machine to the operator's hands. An AV system is recommended for those persons using power tools on a regular or sustained basis.

- Wear gloves and keep your hands warm.
- Keep the AV system well maintained. A power tool with loose components or with damaged or worn AV elements will tend to have higher vibration levels.
- Maintain a firm grip at all times, but do not squeeze the handles with constant, excessive pressure. Take frequent breaks.

All the above-mentioned precautions do not guarantee that you will not sustain whitefinger disease or carpal tunnel syndrome. Therefore, continual and regular users should closely monitor the condition of their hands and fingers. If any of the above symptoms appear, seek medical advice immediately.

WARNING

The ignition system of the STIHL unit produces an electromagnetic field of a very low intensity. This field may interfere with some pacemakers. To reduce the risk of serious or fatal injury, persons with a pacemaker should consult their physician and the pacemaker manufacturer before operating this tool.

Proper Clothing

WARNING

To reduce the risk of injury, the operator should wear proper protective apparel.

WARNING



To reduce the risk of injury to your eyes never operate your power tool unless wearing goggles or properly fitted protective glasses with adequate top and side protection complying with ANSI Z87 "+" (or your applicable national standard).

Power tool noise may damage your hearing. Wear sound barriers (ear plugs or ear muffs) to protect your hearing. Continual and regular users should have their hearing checked regularly.

Be particularly alert and cautious when wearing hearing protection because your ability to hear warnings (shouts, alarms, etc.) is restricted.



Clothing must be sturdy and snug-fitting, but allow complete freedom of movement. Wear overalls or long pants made of heavy material to help protect your legs. Do not wear shorts, sandals or go barefoot.

Avoid loose-fitting jackets, scarfs, neckties, jewelry, flared or cuffed pants, unconfined long hair or anything that could be drawn into the drilling tool. Secure hair so it is above shoulder level.



Good footing is very important. Wear sturdy boots with nonslip soles. Steel-toed safety boots are recommended.



Wear an approved safety hard hat to reduce the risk of injury to your head when there is a danger of head injuries.



Always wear heavy duty work gloves (e.g. made of leather or other wear resistant material) when handling the machine and the drilling tool. Heavy-duty, nonslip gloves improve your grip and help to protect your hands.

THE POWER TOOL

For illustrations and definitions of the power tool parts see the chapter on "Main Parts."

WARNING

Never modify this power tool in any way. Only attachments supplied by STIHL or expressly approved by STIHL for use with the specific STIHL model are authorized. Although certain unauthorized attachments, drills and

augers are useable with STIHL power tools, their use may, in fact, be extremely dangerous.

If this tool is subjected to unusually high loads for which it was not designed (e.g. heavy impact or a fall), always check that it is in good condition before continuing work. Check in particular that the fuel system is tight (no leaks) and that the controls and safety devices are working properly. Do not continue operating this machine if it is damaged. In case of doubt, have it checked by your STIHL servicing dealer.

THE USE OF THE POWER TOOL

Transporting the Power Tool



WARNING

Always stop the engine before putting the earth auger down or carrying it. Carrying an earth auger with the engine running is dangerous. Accidental acceleration of the engine can cause the drilling tool to rotate.



WARNING

During operation, the powerhead muffler and the parts around it reach extremely high temperatures. Avoid setting down a hot unit onto dry, flammable material, or touching the hot muffler; you could receive serious burns.

Carry the unit by the handle frame with hot parts of the machine (e.g., gearbox) away from your body.

Remove the auger before transporting the power tool long distances.

When transporting in a vehicle, properly secure your power tool to prevent turnover, fuel spillage and damage.

When the power tool is not in use, shut it off and put it down so it cannot endanger others.

Fuel

Your STIHL power tool uses an oil-gasoline mixture for fuel (see the chapter on "Fuel" of your instruction manual).



WARNING



Gasoline is an extremely flammable fuel. If spilled and ignited by a spark or other ignition source, it can cause fire and serious burn injury or property damage. Use extreme caution when handling gasoline or fuel mix. Do not smoke or bring any fire or flame near the fuel or the power tool. Note that combustible fuel vapor may escape from the fuel system.

Fueling Instructions



WARNING

Fuel your power tool in well-ventilated areas, outdoors. Always shut off the engine and allow it to cool before refueling. Gasoline vapor pressure may build up inside the fuel tank depending on the fuel used, the weather conditions and the tank venting system.

In order to reduce the risk of burns and other personal injury from escaping gas vapor and fumes, remove the fuel filler cap on your power tool carefully so as to allow any pressure build-up in the tank to release slowly. Never remove the fuel filler cap while the engine is running.

Select bare ground for fueling and move at least 10 feet (3 m) from the fueling spot before starting the engine. Wipe off any spilled fuel before starting your machine.



WARNING



Check for fuel leakage while refueling and during operation. If fuel leakage is found, do not start or run the engine until the leak is fixed and any spilled fuel has been wiped away. Take care not to get fuel on your clothing. If this happens, change your clothing immediately.

Screw Cap



WARNING



Unit vibrations can cause an improperly tightened fuel filler cap to loosen or come off and spill quantities of fuel. In order to reduce the risk of fuel spillage and fire, tighten the fuel filler cap by hand as securely as possible.

See "Fueling" chapter in your instruction manual.

Before Starting

WARNING

Always check your power tool for proper condition and operation before starting, particularly the throttle trigger, throttle trigger lockout, slide control, drilling tool and auger brake. The throttle trigger must move freely and always spring back to the idle position. Never attempt to modify the controls or safety devices. Regular maintenance is important in this respect. Make sure the drilling tool is in good condition and properly connected.

WARNING

Check fuel system for leaks, especially the visible parts, e.g., filler cap, hose connections, manual fuel pump (only for power tools equipped with a manual fuel pump). Do not start the engine if there are leaks or damage – risk of fire! Have the machine repaired by a servicing dealer before using it.

WARNING

Never operate your power tool if it is damaged, improperly adjusted or maintained, or not completely or securely assembled.

WARNING

Check that the spark plug boot is securely mounted on the spark plug – a loose boot may cause arcing that could ignite combustible fumes and cause a fire.

Keep the handles clean and dry at all times; it is particularly important to keep them free of moisture, pitch, oil, fuel mix,

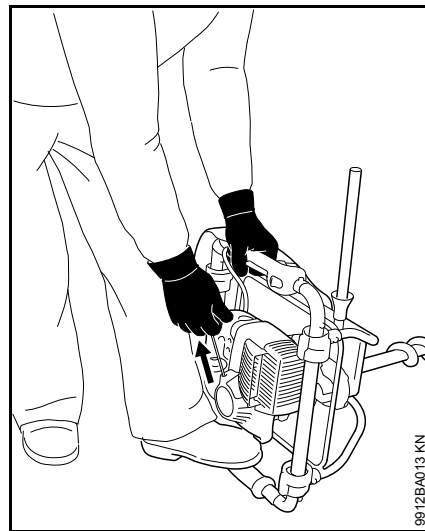
grease or resin in order for you to maintain a firm grip and properly control your power tool.

Auger Brake

Your earth auger model is equipped with an auger brake, which is designed to reduce the risk of injury from reactive forces by stopping the rotation of the auger / powerhead when the brake activating lever is engaged. It should also be used during starting and when unwinding a trapped auger. See the chapter on "Auger Brake" for information on engagement of the brake.

Starting

Start the engine at least 10 feet (3 m) from the fueling spot, outdoors only.



For specific starting instructions, see the appropriate section of your manual. Place the power tool on firm ground or

other solid surface in an open area. Maintain good balance and secure footing.

WARNING

Your earth auger should be started only when it is held steady by the operator.

WARNING

To reduce the risk of loss of control, be sure that the auger brake is engaged. When the engine starts at starting throttle, engine speed will be fast enough for the clutch to engage and, if the auger brake is not engaged, turn the drilling tool.

Once the engine has started, immediately blip the throttle trigger, which should release the starting throttle and allow the engine to slow down to idle speed.

WARNING

Your power tool is a one-person machine. Do not allow other persons in the general work area, even when starting.

WARNING

When you pull the starter grip, do not wrap the starter rope around your hand. Do not let the grip snap back, but guide the starter rope to rewind it properly. Failure to follow this procedure may result in injury to your hand or fingers and may damage the starter mechanism.

Important Adjustments

WARNING

To reduce the risk of personal injury from loss of control or contact with the turning drilling tool, do not use your unit with incorrect idle adjustment. At correct idle speed, the drilling tool should not move. For directions on how to adjust idle speed, see the appropriate section of your instruction manual.

If you cannot set the correct idle speed, have your STIHL dealer check your power tool and make proper adjustments and repairs.

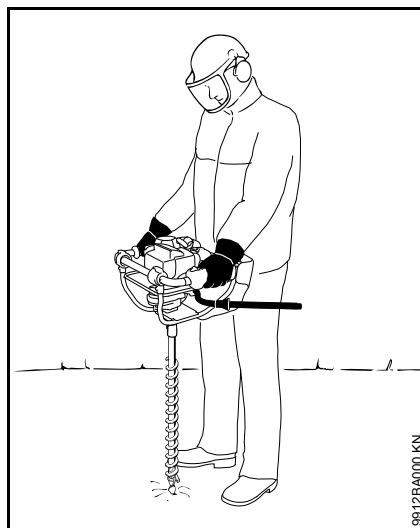
During Operation

Holding and Controlling the Power Tool

Always hold the unit firmly with both hands on the handles while you are working. Wrap your fingers and thumbs around the handles.

Keep your hands in this position to have your earth auger under control at all times.

Select drilling angle so that the auger brake lever is always in a position to be activated by the operator's left thigh.



WARNING

Do not overreach. Keep proper footing and balance at all times. Special care must be taken in slippery conditions (wet ground, snow, ice) and in difficult, overgrown terrain. Watch for hidden obstacles such as tree stumps, roots and ditches to avoid stumbling. For better footing, clear away fallen branches, scrub and cuttings. Be extremely cautious when working on slopes or uneven ground or when working with an ice auger attachment on ice.

Working Conditions

Operate and start your power tool only outdoors in a well ventilated area. Operate it under good visibility and daylight conditions only. Work carefully.

WARNING



As soon as the engine is running, this product generates toxic exhaust fumes containing chemicals, such as unburned hydrocarbons (including benzene) and carbon monoxide, that are known to cause respiratory problems, cancer, birth defects, or other reproductive harm. Some of the gases (e.g. carbon monoxide) may be colorless and odorless. To reduce the risk of serious or fatal injury/illness from inhaling toxic fumes, never run the machine indoors or in poorly ventilated locations.

WARNING

Inhalation of certain dusts, especially organic dusts such as mold or pollen, can cause susceptible persons to have an allergic or asthmatic reaction. Substantial or repeated inhalation of dust and other airborne contaminants, in particular those with a smaller particle size, may cause respiratory or other illnesses. Control dust at the source where possible. Use good work practices, such as operating the unit so that the wind or operating process directs any dust raised by the power tool away from the operator. Follow the recommendations of EPA/OSHA/NIOSH and occupational and trade associations with respect to dust ("particulate matter"). When the

inhalation of dust cannot be substantially controlled, i.e., kept at or near the ambient (background) level, the operator and any bystanders should wear a respirator approved by NIOSH/MSHA for the type of dust encountered.



Striking something hard in the earth, such as a rock or gravel, may cause the drilling tool to slow down suddenly or stop. In such a situation, some or all of the rotational force (reactive force) is transferred to the powerhead and handle frame of the earth auger which can cause the auger powerhead and handles to rotate suddenly in a counterclockwise direction.

! WARNING

Work carefully in rocky ground or where other solid objects may be present. Keep throttle feed pressure to a minimum. If you feel or hear the drilling tool strike a solid object, release the throttle trigger immediately and remove the object before drilling is continued. When drilling in heavy clay soil, bore about 1/3 way and remove the auger from the hole. Clean off auger drilling tool then continue in slow steps frequently clearing tool.

! WARNING

You should hold your earth auger firmly to control sudden jolts and reactive forces. Be prepared to release the

throttle completely if the forces become too great. If reactive forces are not controlled, rotation of the handles may result in severe jerking and loss of control and may cause the handle frame to strike you or throw you to the ground. Your earth auger model is equipped with an auger brake. If the auger hits something it cannot drill through and the powerhead begins to rotate so that the auger brake activating lever strikes the operator's thigh and engages, the brake is designed to stop the rotation of the powerhead.

! WARNING

In order to reduce the risk of serious or fatal injury from reactive forces, never operate your earth auger without a properly functioning auger brake.

If the auger becomes trapped in the drillhole, turn off the engine immediately and remove as described in the chapter entitled "Releasing a Trapped Auger."

! DANGER



Contact with electrical cables or wires can cause serious injury or death as a result of electrical shock. This unit is not insulated.

! WARNING

To reduce the risk of electrocution and damage to property, always be alert for underground pipes and cables and for overhead wires. Before drilling, obtain the necessary plans and permits. Contact your local utility company or your locator service, such as "Miss

Utility" or "One Call," for information as to cable and pipe locations. Where necessary, confirm actual location by use of devices such as cable detectors and/or by carefully dug trenches. Stay clear of overhead electrical wires when backing the drilling tool out of the hole. If any portion of the machine strikes a wire, it will cause electrical shock and serious injury or death.

! WARNING

Before working with an ice auger attachment on frozen ponds, lakes or streams, check with local authorities and take all necessary precautions to ensure safe ice thickness.

! WARNING

Thrown objects may ricochet and strike the operator.

Operating Instructions

! WARNING

Do not operate your power tool using the starting throttle lock, as you do not have control of the engine speed.

In the event of an emergency, switch off the engine immediately – move the slide control to **0** or **STOP**.

! WARNING

When taking the drilling tool out of the hole, lift the machine vertically so that the tool comes out straight without canting. To minimize splashing when drilling ice holes, back off the throttle when the drilling tool breaks through the

ice. Raise the unit slowly. Cover and clearly mark boreholes to prevent anyone from stepping in a hole.

WARNING

To reduce the risk of injury, never touch a drilling tool or drilling spindle with your hand or any part of your body when the engine is running or the drilling tool is rotating. It continues to rotate for a short period after the throttle trigger is released. Always shut off the engine before putting the machine down.

WARNING

Drilling tool blades and point are sharp. To reduce the risk of cut injuries, use caution when operating and handling.

MAINTENANCE, REPAIR AND STORING

Maintenance, replacement, or repair of the emission control devices and systems may be performed by any nonroad engine repair establishment or individual. However, if you make a warranty claim for a component which has not been serviced or maintained properly or if nonapproved replacement parts were used, STIHL may deny coverage.

WARNING

Use only identical STIHL replacement parts for maintenance and repair. Use of non-STIHL parts may cause serious or fatal injury.

Strictly follow the maintenance and repair instructions in the appropriate section of your instruction manual. Please refer to the maintenance chart near the end of this manual.

WARNING

Always stop the engine before doing any maintenance or repair work or cleaning the power tool.

WARNING

Do not attempt any maintenance or repair work not described in your instruction manual. Have such work performed by your STIHL servicing dealer only.

WARNING

Never test the ignition system with the spark plug boot removed from the spark plug or with a removed spark plug, since uncontained sparking may cause a fire.

WARNING

Use the specified spark plug and make sure it and the ignition lead are always clean and in good condition. Always press spark plug boot snugly onto spark plug terminal of the proper size. (Note: If terminal has detachable SAE adapter nut, it must be securely attached.) A loose connection between spark plug terminal and the ignition wire connector in the boot may create arcing that could ignite combustible fumes and cause a fire.

WARNING

Check condition of drilling tool at regular short intervals. If behavior of tool changes, check immediately for tightness or any signs of cracks in particular.

WARNING

Wear gloves when handling or performing maintenance on auger drilling tools.

WARNING

Replace damaged drilling tools immediately, even if they have only superficial cracks. Never attempt to repair damaged drilling tools.

WARNING

Do not operate your power tool if the muffler is damaged, missing or modified. An improperly maintained muffler will increase the risk of fire and hearing loss. Your muffler is equipped with a spark-arresting screen to reduce the risk of fire; never operate your power tool if the screen is missing, damaged or clogged. Remember that the risk of a brush or forest fire is greater in hot or dry weather.

In California, it is a violation of § 4442 or § 4443 of the Public Resources Code to use or operate gasoline-powered tools on forest-covered, brush-covered or grass-covered land unless the engine's exhaust system is equipped with a complying spark arrester that is maintained in effective working order. The owner/operator of this product is responsible for properly maintaining the

spark arrester. Other states or governmental entities/agencies, such as the U.S. Forest Service, may have similar requirements. Contact your local fire agency or forest service for the laws or regulations relating to fire protection requirements.

Tighten all nuts, bolts and screws except the carburetor adjustment screws after each use.

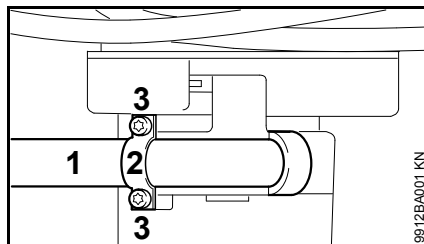
For any maintenance of the emission control system please refer to the maintenance chart **and to the limited warranty statement** near the end of the instruction manual.

Do not clean your machine with a pressure washer. The solid jet of water may damage parts of the machine.

Store your power tool in a dry and locked location out of reach of children. Before storing for longer than a few days, always empty the fuel tank (see chapter "Storing the Machine" in the instruction manual).

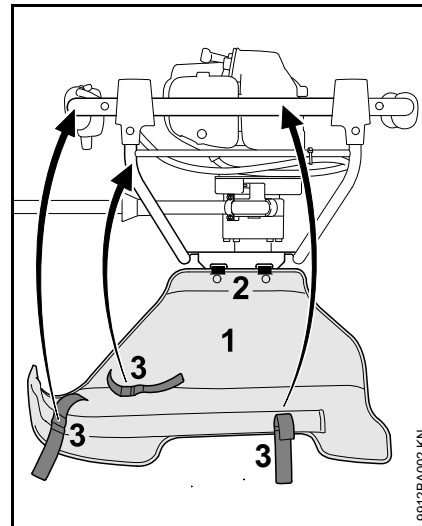
Assembling the Unit

Fitting activating lever for auger brake

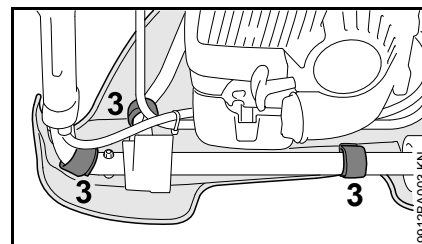


- Insert the activating lever (1) into the clamp
- Place the holder (2) onto the activating lever
- Screw in the fastening screws (3) and tighten

Fit the padding



- Hook the padding (1) with the tabs (2) into the oblong holes in the handle frame
- Fold up the padding

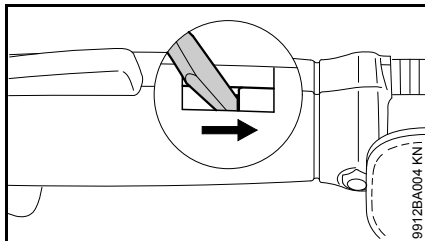


- Secure the padding to the handlebar with the cling strips (3) – do not jam the throttle cable

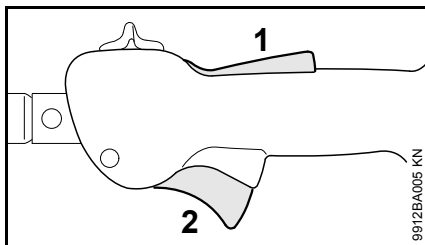
Adjusting the Throttle Cable

The correct throttle cable setting is a prerequisite for the correct operation of the warm start, idling and full throttle.

Only set the throttle cable when the machine is fully installed – the control handle must be in the working position.



- Use a tool to press the detent on the control handle onto the end of the groove



- Open the throttle trigger lockout (1) and throttle trigger (2) wide (full throttle setting) – this sets the throttle cable properly

Fuel

This engine is certified to operate on unleaded gasoline and the STIHL two-stroke engine oil at a mix ratio of 50:1.

Your engine requires a mixture of high-quality gasoline and two-stroke air cooled engine oil.

Use mid-grade unleaded gasoline with a minimum octane rating of 89 ((R+M)/2) and no more than 10% ethanol content.

Fuel with a lower octane rating may increase engine temperatures. This, in turn, increases the risk of piston seizure and damage to the engine.

The chemical composition of the fuel is also important. Some fuel additives not only detrimentally affect elastomers (carburetor diaphragms, oil seals, fuel lines, etc.), but magnesium castings and catalytic converters as well. This could cause running problems or even damage the engine. For this reason STIHL recommends that you use only high-quality unleaded gasoline!

Gasoline with an ethanol content of more than 10% can cause running problems and major damage in engines and should not be used.

For further details, see www.STIHLusa.com/ethanol

The ethanol content in gasoline affects engine running speed – it may be necessary to readjust the carburetor if you use fuels with various ethanol contents.

! WARNING

To reduce the risk of personal injury from loss of control and/or contact with the running cutting tool, do not use your unit with incorrect idle adjustment. At correct idle speed, the cutting tool should not move.

If your power tool shows an incorrect idle adjustment, have your STIHL dealer check your power tool and make proper adjustments and repairs.

The idle speed and maximum speed of the engine change if you switch from a fuel with a certain ethanol content to another fuel with a much higher or lower ethanol content.

This problem can be avoided by always using fuel with the same ethanol content.

Use only STIHL two-stroke engine oil or equivalent high-quality two-stroke engine oils that are designed for use only in air cooled two-cycle engines.

We recommend STIHL HP Ultra 2-Cycle Engine Oil since it is specially formulated for use in STIHL engines.

Do not use BIA or TCW rated (two-stroke water cooled) mix oils or other mix oils that state they are for use in both water cooled and air cooled engines (e.g., outboard motors, snowmobiles, chain saws, mopeds, etc.).

! WARNING

Take care when handling gasoline. Avoid direct contact with the skin and avoid inhaling fuel vapor. When filling at the pump, first remove the container from your vehicle and place the

English

container on the ground before filling. To reduce the risk of sparks from static discharge and resulting fire and/or explosion, do not fill fuel containers that are sitting in or on a vehicle or trailer.

The container should be kept tightly closed in order to limit the amount of moisture that gets into the mixture.

The machine's fuel tank should be cleaned as necessary.

STIHL MotoMix

STIHL recommends the use of STIHL MotoMix. STIHL MotoMix has a high octane rating and ensures that you always use the right mix ratio.

STIHL MotoMix uses STIHL HP Ultra two-stroke engine oil suited for high performance engines.

For further details, see www.STIHLusa.com/ethanol

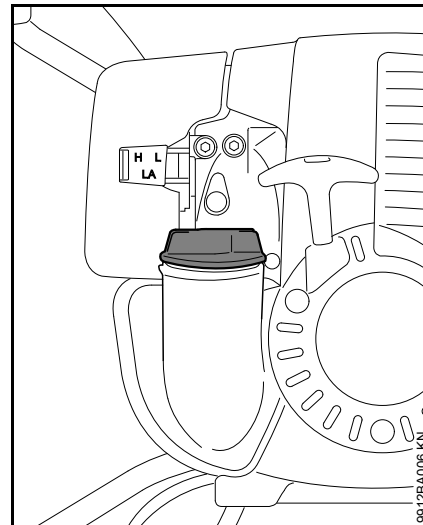
Fuel mix ages

Only mix sufficient fuel for a few days work, not to exceed 30 days of storage. Store in approved fuel-containers only. When mixing, pour oil into the container first, and then add gasoline. Close the container and shake it vigorously by hand to ensure proper mixing of the oil with the fuel.

Gasoline	Oil (STIHL 50:1 or equivalent high-quality oils)
US gal.	US fl.oz.
1	2.6
2 1/2	6.4
5	12.8

Dispose of empty mixing-oil containers only at authorized disposal locations.

Fueling



Before fueling, clean the filler cap and the area around it to ensure that no dirt falls into the tank.

Always thoroughly shake the mixture in the can before fueling your machine.

! WARNING

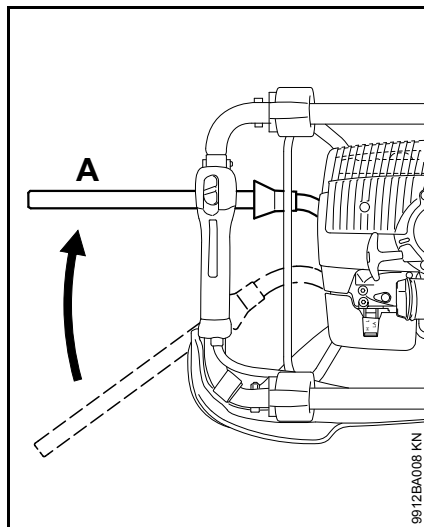
In order to reduce the risk of fire and personal injury from escaping gas vapor and fumes, remove the fuel filler cap carefully so as to allow any pressure build-up in the tank to release slowly.

! WARNING

After fueling, tighten down the filler cap by hand as securely as possible.

Auger Brake

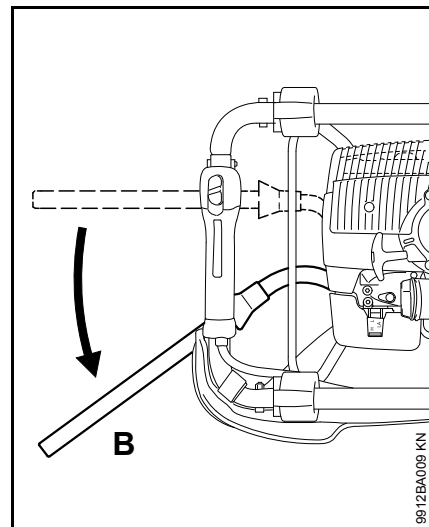
Activating the auger brake



- Set the activating lever to A
 - when starting
 - when idling
 - to unscrew a secured auger

If the auger catches in the drilled hole (e. g. on roots or stones), the auger moves counterclockwise – the activating lever is pushed against the thigh of the operator and the auger brake is triggered.

Releasing the auger brake



- Set the activating lever to B

Checking the auger brake for proper functioning

The auger brake is subject to normal wear. Before starting work and after releasing a jammed auger, check regularly if it is fulfilling its function.

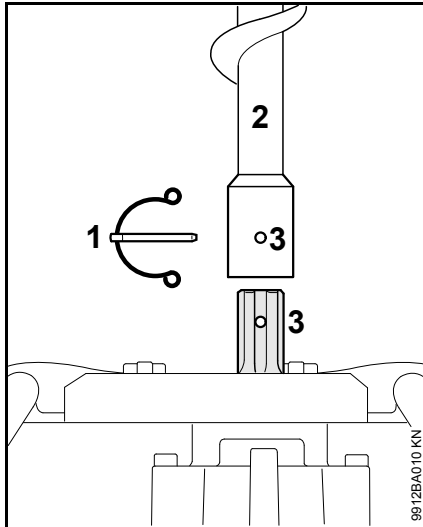
Each time before starting work and after releasing a jammed auger

- When idling, activate the auger brake and open the throttle wide for a brief period (max. 3 seconds) – the auger must not rotate.

If the auger brake fails, it must be repaired immediately by a servicing dealer – STIHL recommends the STIHL dealer.

Fitting the Auger

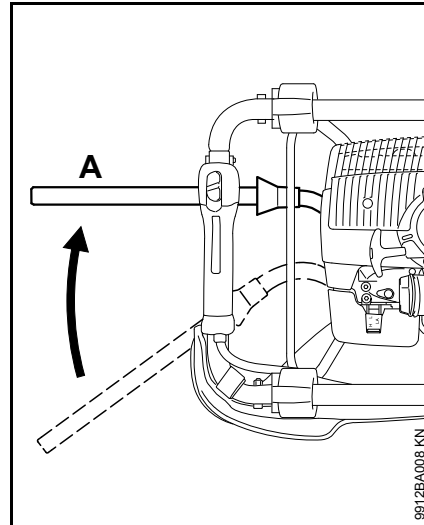
- Switch off the motor and activate the auger brake – see "Auger brake"
- Put down the auger – drilling spindle facing upwards



- Pull the retaining pin (1) out of the auger shaft
- Push the auger (2) onto the drilling spindle until the holes (3) align
- Insert the retaining pin into the hole
- Fold down the spring clip of the retaining pin so that it encloses the auger shaft

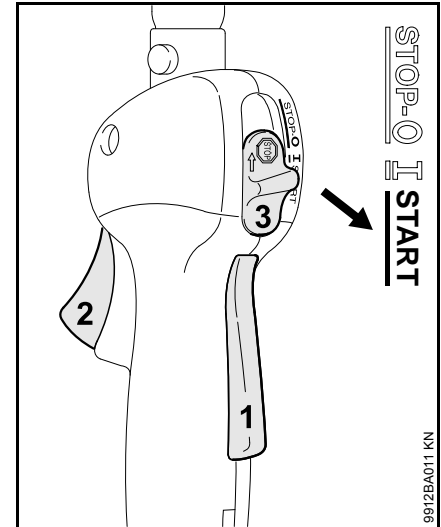
Starting / Stopping the Engine

Engaging the Auger Brake

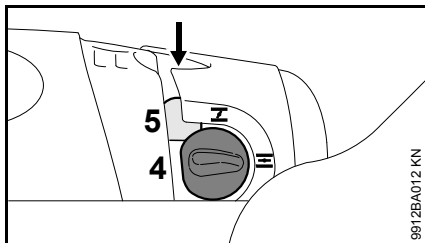




- Move the activating lever to position **A** .

Starting

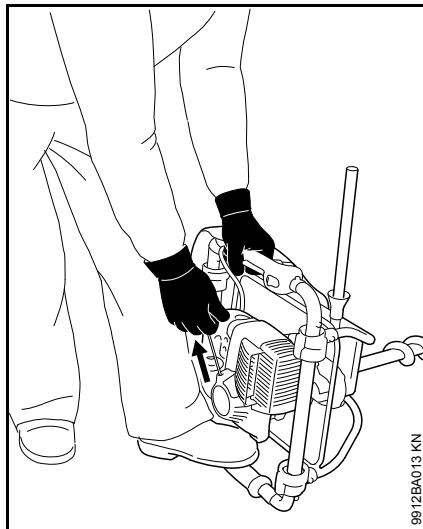


- Press down the trigger lockout lever (1), then squeeze the throttle trigger (2)
- and hold them in that position.
- Move the slide control (3) to **START** and hold it there.
- Now release the throttle trigger, slide control and trigger lockout in that order. This is the **starting throttle position**.



- Set the choke knob (4) to:
 -  if the engine is cold
 -  for warm start – also use this position if the engine has been running but is still cold.
- Press the manual fuel pump bulb (5) at least five times.

Cranking



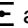
- Place the unit on the ground so that it is secure.
- Put your left foot on the handle frame.
- Left hand on the handle frame.
- Pull the starter grip slowly with your right hand until you feel it engage and then give it a brisk strong pull.

NOTICE

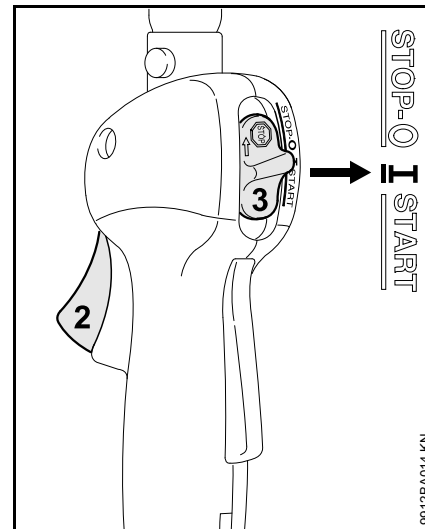
Do not pull out the starter rope all the way – **it might otherwise break.**

- Do not let the starter grip snap back. Guide it slowly back into the housing so that the starter rope can rewind properly.
- Continue cranking.

When engine begins to fire

- Set the choke knob to  and
- continue cranking until the engine runs.

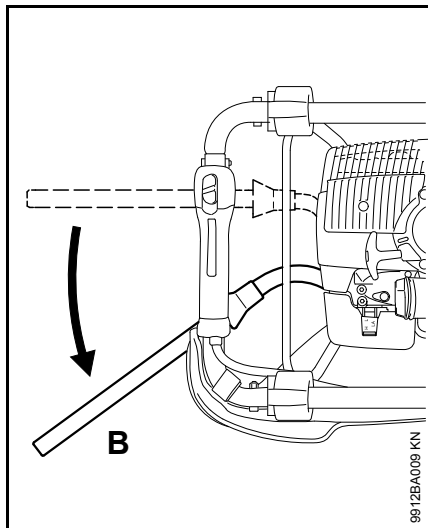
As soon as the engine runs



- Blip the throttle trigger (2) – the slide control (3) moves to the run position I and the engine settles down to idling speed.

NOTICE

Since the auger brake is still engaged, the engine must be returned to idling speed **immediately** – or the clutch might otherwise be damaged.



- Stand the unit on the tip of the auger.
- Disengage the auger brake by moving the activating lever to position **B**. Your earth auger is now ready for operation.

Make sure the carburetor is correctly adjusted. The auger must not rotate when the engine is idling.

Stopping the Engine

- Move the slide control to **STOP-0**.

At very low outside temperatures

- When the engine starts, blip the throttle trigger to disengage the **starting throttle position** – the slide

control moves to the run position **I** and the engine settles down to idling speed.

- Open the throttle slightly.
- Warm up the engine for a short period.

If engine does not start

If you did not move the choke knob quickly enough to $\overline{\text{I}}$ after the engine began to fire, the engine is flooded.

- Set the choke knob to $\overline{\text{I}}$ and
- Set the slide control, trigger lockout and throttle trigger to the starting throttle position.
- Start the engine by pulling the starter rope briskly – 10 to 20 pulls may be necessary.

If the engine still does not start

- Move the slide control to **STOP-0**.
- Remove the spark plug – see "Spark Plug".
- Dry the spark plug.
- Crank the engine several times with the starter to clear the combustion chamber.
- Refit the spark plug – see "Spark Plug".
- Move the slide control to **START**.
- Set the choke knob to $\overline{\text{I}}$ – even if the engine is cold.
- Now start the engine.

Throttle cable adjustment

- Check adjustment of throttle cable – see chapter on "Adjusting the Throttle Cable".

If fuel tank has been run completely dry and then refueled

- After refueling, press the manual fuel pump bulb at least five times – even if the bulb is filled with fuel.
- Set the choke knob according to engine temperature.
- Now start the engine.

Operating Instructions

During break-in period

A factory-new machine should not be run at high revs (full throttle off load) for the first three tank fillings. This avoids unnecessary high loads during the break-in period. As all moving parts have to bed in during the break-in period, the frictional resistances in the engine are greater during this period. The engine develops its maximum power after about 5 to 15 tank fillings.

During Operation

After a long period of full throttle operation, allow the engine to run for a short while at idle speed so that engine heat can be dissipated by the flow of cooling air. This protects engine-mounted components (ignition, carburetor) from thermal overload.

After Finishing Work

Wait for the engine to cool down. Drain the fuel tank. Store the machine in a dry location. Check the tightness of all accessible screws and nuts (not adjusting screws) at regular intervals and retighten if necessary.

Working with shaft extension (special accessory)

Do not fit the shaft extension until the full length of the auger is in the hole.

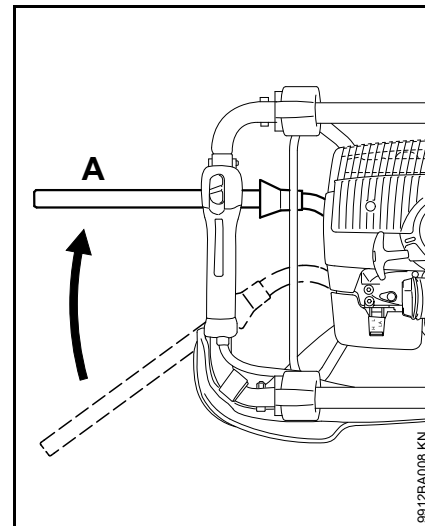
WARNING

Starting a hole with the shaft extension fitted increases the risk of personal injury because the unit is then at chest height and cannot be controlled properly. For the same reason the shaft extension must be removed before the auger is pulled out of the hole.

Releasing a Trapped Auger

If the auger is jammed in the drilling hole

- Switch off the engine immediately
- Set the slide control to **STOP-0**

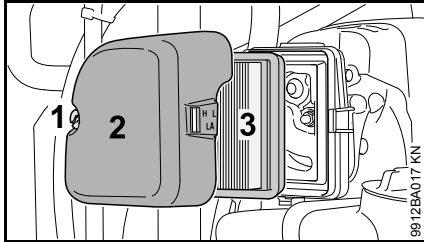


- Set the activating lever to **A** – the auger brake is activated
- Turn the whole auger counterclockwise to the left until the auger is released again
- Once the jammed auger is released, check that the auger brake functions properly – see "Auger brake"

Replacing the Air Filter

If there is a noticeable loss of engine power

- Remove the padding on the handle frame



- Unscrew the screw (1) and remove the filter cover (2) – screw is fastened in the filter cover so that it is secured against loss
- Remove coarse dirt from inside the filter cover (2) and around the air filter (3)
- Remove and examine the air filter (3) – replace if soiled or damaged
- Fit the air filter (3)
- Fit the filter cover (2)
- Screw in the screw (1) and tighten
- Fit the padding – see “Assembling the machine”

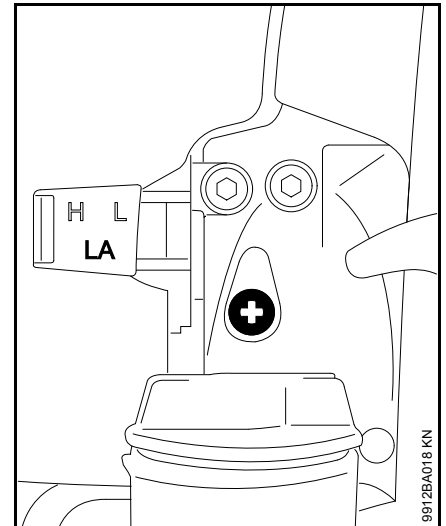
Engine Management

Exhaust emissions are controlled by the design of the fundamental engine parameters and components (e.g. carburation, ignition, timing and valve or port timing) without the addition of any major hardware.

Adjusting the Carburetor

The carburetor of the machine has been adjusted for optimum performance and fuel efficiency in all operating states at the factory.

Setting the idle speed



Engine stops when idling

- Turn the idle speed adjusting screw (LA) slowly clockwise until the engine runs smoothly.

Auger turns when idling

- Turn the idle speed adjusting screw (LA) slowly counterclockwise until the auger stops turning

WARNING

If the auger continues to keep moving in idle even after adjustment, have the machine checked by a servicing dealer.

Spark Plug

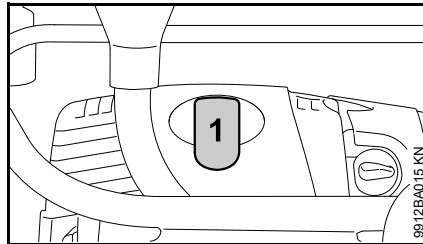
If engine is down on power, difficult to start or runs poorly at idling speed, first check the spark plug.

Fit a new spark plug after approx. 100 operating hours or earlier if the electrodes are badly eroded.

Wrong fuel mix (too much engine oil in the gasoline), a dirty air filter and unfavorable running conditions (mostly at part throttle etc.) affect the condition of the spark plug. These factors cause deposits to form on the insulator nose which may result in trouble in operation.

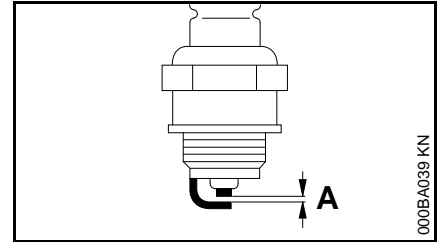
Removing the spark plug

- Set the slide control to **STOP-0**



- Unplug spark plug boot (1)
- Unscrew spark plug

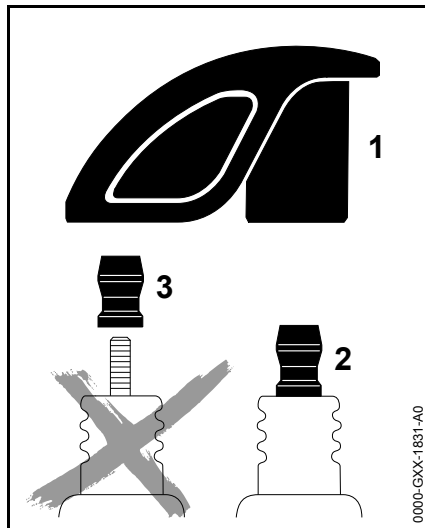
Checking the Spark Plug



- Clean dirty spark plug.
- Check electrode gap (A) and readjust if necessary – see chapter "Specifications."
- Use only resistor type spark plugs of the approved range.

Rectify problems which have caused fouling of spark plug:

- too much oil in fuel mix,
- dirty air filter,
- unfavorable running conditions, e.g. operating at part load.



! WARNING

To reduce the risk of fire and burn injury, use only spark plugs authorized by STIHL. Always press the spark plug boot (1) snugly onto the spark plug terminal (2).

Do not use a spark plug with a detachable SAE adapter terminal (3). Arcing may occur that could ignite combustible fumes and cause a fire. This can result in serious injuries or damage to property.

- Only use resistor type spark plugs with solid, non-threaded terminals

Installing the spark plug

- Screw home the spark plug, fit the boot and press it down firmly.

Engine Running Behavior

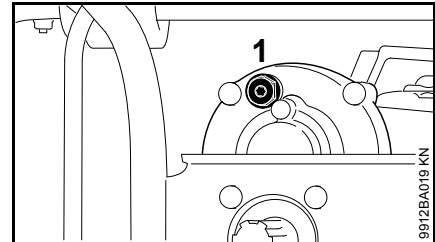
If engine running behavior is still unsatisfactory after the air filter has been serviced and the carburetor and throttle cable have been adjusted correctly, the cause may also be in the muffler.

Have the muffler checked for contamination (coking) by a servicing dealer!

STIHL recommends that maintenance and repair work be carried out only by authorized STIHL dealers.

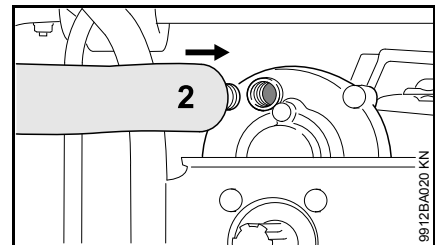
Lubricating the Gearbox

- Check grease level regularly – about every 50 hours of operation.



- Unscrew the filler plug (1).

If no grease can be seen on the inside of the filler plug:



- Apply the tube (2) of STIHL gear lubricant to the filler hole.
- Squeeze 5 – 10g (1/4 oz) grease into the gearbox.
- Do not completely fill the gearbox with grease.
- Refit the filler plug and tighten it down firmly.

Storing the Machine

For periods of 3 months or longer

- Remove the drilling tool.
- Drain and clean the fuel tank in a well ventilated area.
- Dispose of fuel properly in accordance with local environmental requirements.
- Run the engine until the carburetor is dry – this helps prevent the carburetor diaphragms sticking together.
- Thoroughly clean the machine – pay special attention to the cylinder fins and air filter.
- Store the machine in a dry, high or locked location, out of the reach of children and other unauthorized persons.

Inspections and Maintenance by Dealer

Maintenance work

STIHL recommends that maintenance and repair work be carried out only by authorized STIHL dealers.

Fuel pickup body in tank

- Have the fuel pickup body in the fuel tank changed once every year

Spark arrestor in muffler

- If engine performance deteriorates, have the spark arresting screen in the muffler checked

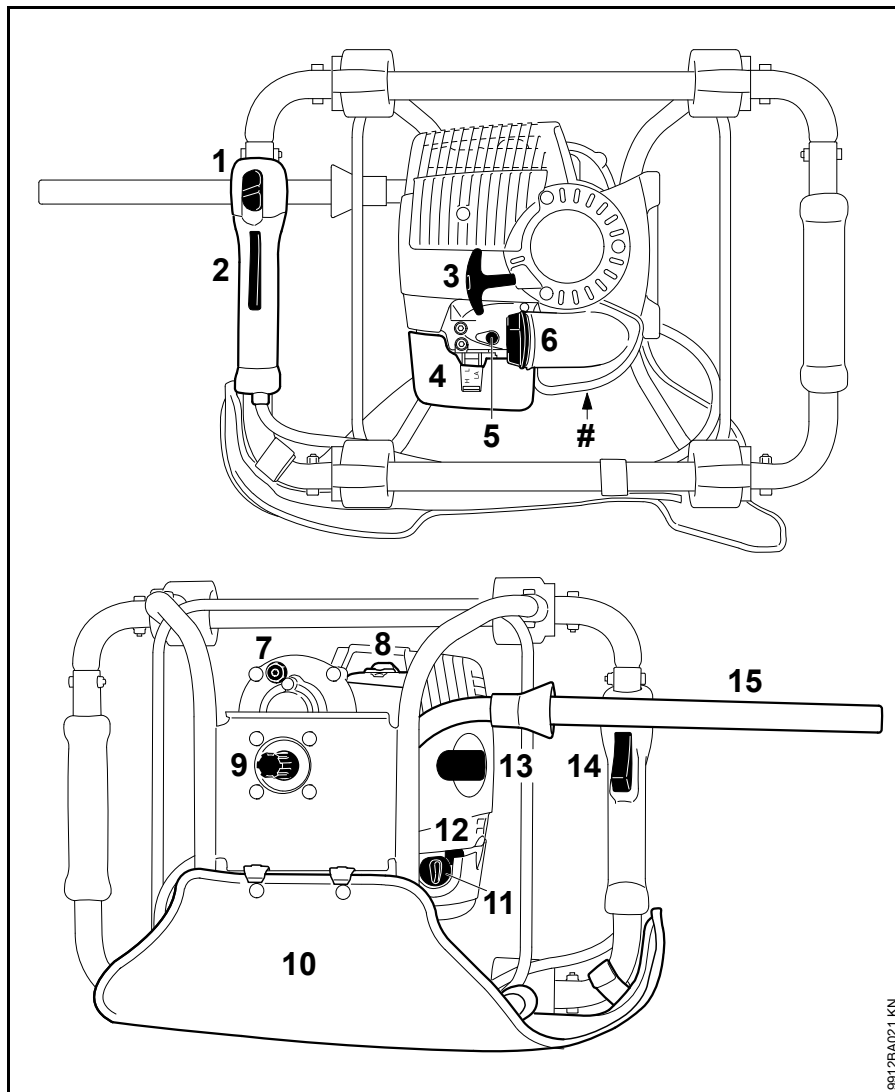
Maintenance and Care

The following intervals apply to normal operating conditions only. If your daily working time is longer or operating conditions are difficult (very dusty work area, etc.), shorten the specified intervals accordingly.		before starting work	after finishing work or daily	after each refueling stop	weekly	monthly	every 12 months	if problem	if damaged	as required
Complete machine	Visual inspection (condition, leaks)	X		X						
	Clean		X							
Auger brake	Check operation	X		X						
	Have serviced by dealer ¹⁾									X
Control handle	Check operation	X		X						
Air filter	Replace								X	X
Manual fuel pump (if fitted)	Check	X								
	Have repaired by servicing dealer ¹⁾								X	
Pickup body in fuel tank	Have checked by servicing dealer ¹⁾							X		
	Have replaced by servicing dealer ¹⁾						X			X
Fuel tank	Clean					X				
Carburetor	Check idle adjustment – drilling spindle must not rotate	X								
	Readjust idle									X
Spark plug	Readjust electrode gap							X		
	Replace after every 100 operating hours									
Spark arrestor in muffler	Have checked by servicing dealer ¹⁾							X		
	Have cleaned or replaced by servicing dealer ¹⁾								X	X
All accessible screws and nuts (not adjusting screws)	Retighten									X
Anti-vibration elements	Check	X						X		X
	Have replaced by servicing dealer ¹⁾								X	
Gearbox	Re-lubricate									X

The following intervals apply to normal operating conditions only. If your daily working time is longer or operating conditions are difficult (very dusty work area, etc.), shorten the specified intervals accordingly.		before starting work	after finishing work or daily	after each refueling stop	weekly	monthly	every 12 months	if problem	if damaged	as required
Drilling spindle	Clean		X							
Auger	Check	X								
	Replace									X
Safety labels	Replace								X	

1) STIHL recommends an authorized STIHL servicing dealer.

Main Parts



9912BA021 KN

Definitions

- 1 Slide Control**
For starting throttle, run and stop. Keeps the throttle partially open during starting and switches off the ignition to stop the engine.
- 2 Throttle Trigger Lockout**
Must be depressed before the throttle trigger can be activated.
- 3 Starter Grip**
The grip of the pull starter, for starting the engine.
- 4 Air Filter Cover**
Covers and protects the air filter element.
- 5 Carburetor Adjusting Screw**
For setting idle speed.
- 6 Fuel Filler Cap**
For closing the fuel tank.
- 7 Screw Plug**
Seals filler opening for gearbox grease.
- 8 Muffler with Spark Arresting Screen**
Muffler reduces exhaust noises and diverts exhaust gases away from operator. Spark arresting screen is designed to reduce the risk of fire.
- 9 Drilling Spindle**
For attaching the chuck or adapter to the power drill.
- 10 Padding**
Helps cushion thigh against handle frame.

- 11 Choke Knob**
Eases engine starting by enriching mixture.
- 12 Manual Fuel Pump**
Provides additional fuel feed for a cold start.
- 13 Spark Plug Boot**
Connects the spark plug with the ignition lead.
- 14 Throttle Trigger**
Controls the speed of the engine.
- 15 Auger Brake Activating Lever**
Lever for engaging and disengaging the auger brake.

Specifications

EPA / CEPA

The Emission Compliance Period referred to on the Emissions Compliance Label indicates the number of operating hours for which the engine has been shown to meet Federal emission requirements.

Category

A = 300 hours

B = 125 hours

C = 50 hours

CARB

The Emission Compliance Period used on the CARB-Air Index Label indicates the terms:

Extended = 300 hours

Intermediate = 125 hours

Moderate = 50 hours

Engine

STIHL single cylinder four-stroke engine with mixture lubrication

Displacement: 36.3 cc
(2.22 cu.in)

Bore: 43 mm (1.693 in)

Stroke: 25 mm (0.984 in)

Engine power to ISO 7293:	1.4 kW (1.88 bhp) at 8,500 rpm
Idle speed:	2,800 rpm
Cut-off speed:	9,500 rpm

Ignition System

Electronic (breakerless) magneto ignition

Spark plug (resistor type):	NGK CMR 6H
Electrode gap:	0.5 mm (0.020 in)

Fuel System

All position diaphragm carburetor with integral fuel pump

Fuel tank capacity: 0.53 l (17.9 fl.oz)

Drilling gear

Two-stage spur gear drive

Gear ratio:	47.5:1
Max. spindle speed:	200 rpm
Max. torque at drilling spindle:	81 Nm (59.74 lbf. ft)
Lubrication:	STIHL gear lubricant for brushcutters

Weight

Dry, without drilling tool (auger):	21.8 lbs (9.9 kg)
-------------------------------------	----------------------


Dimensions

Length with handle frame:	400 mm (15.748 in)
Width with handle frame:	530 mm (20.866 in)
Height without drilling tool (auger):	365 mm (14.370 in)

Maintenance and Repairs

Users of this unit should carry out only the maintenance operations described in this manual. STIHL recommends that other repair work be performed only by authorized STIHL servicing dealers.

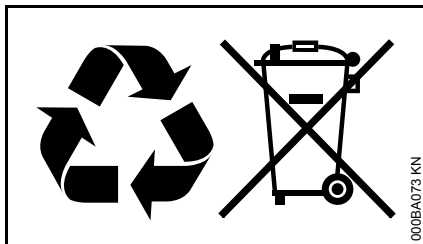
Except for the emissions control systems and parts, which are governed by the Federal Emission Control Warranty provided elsewhere in this manual. Warranty claims following repairs can be accepted only if the repair has been performed by an authorized STIHL servicing dealer using genuine STIHL replacement parts.

Genuine STIHL parts can be identified by the STIHL part number, the **STIHL** logo and, in some cases, by the STIHL parts symbol . The symbol may appear alone on small parts.

For repairs of any component of this unit's air emissions control system, please refer to the air emissions systems warranty in this manual.

Disposal

Observe all country-specific waste disposal rules and regulations.



STIHL products must not be thrown in the garbage can. Take the product, accessories and packaging to an approved disposal site for environment-friendly recycling.

Contact your STIHL servicing dealer for the latest information on waste disposal.

STIHL Incorporated Federal Emission Control Warranty Statement

Your Warranty Rights and Obligations

The U.S. Environmental Protection Agency (EPA) and STIHL Incorporated are pleased to explain the Emission Control System Warranty on your equipment type engine. In the U.S. new 1997 and later model year small off-road equipment engines must be designed, built and equipped, at the time of sale, to meet the U.S. EPA regulations for small non road engines. The equipment engine must be free from defects in materials and workmanship which cause it to fail to conform with U.S. EPA standards for the first two years of engine use from the date of sale to the ultimate purchaser.

STIHL Incorporated must warrant the emission control system on your small off-road engine for the period of time listed below provided there has been no abuse, neglect or improper maintenance of your small off-road equipment engine.

Your emission control system includes parts such as the carburetor and the ignition system. Also included may be hoses, and connectors and other emission-related assemblies.

Where a warrantable condition exists, STIHL Incorporated will repair your small off-road equipment engine at no cost to you including diagnosis (if the diagnostic work is performed at an authorized dealer), parts and labor.

Manufacturer's Warranty Coverage

In the U.S., 1997 and later model year small off-road equipment engines are warranted for two years. If any emission-related part on your engine is defective, the part will be repaired or replaced by STIHL Incorporated free of charge.

Owner's Warranty Responsibilities

As the small off-road equipment engine owner, you are responsible for the performance of the required maintenance listed in your instruction manual. STIHL Incorporated recommends that you retain all receipts covering maintenance on your small off-road equipment engine, but STIHL Incorporated cannot deny warranty solely for the lack of receipts or for your failure to ensure the performance of all scheduled maintenance.

Any replacement part or service that is equivalent in performance and durability may be used in non-warranty maintenance or repairs, and shall not reduce the warranty obligations of the engine manufacturer.

As the small off-road equipment engine owner, you should be aware, however, that STIHL Incorporated may deny you warranty coverage if your small off-road equipment engine or a part has failed due to abuse, neglect, improper maintenance or unapproved modifications.

You are responsible for presenting your small off-road equipment engine to a STIHL service center as soon as a

problem exists. The warranty repairs will be completed in a reasonable amount of time, not to exceed 30 days.

If you have any questions regarding your warranty rights and responsibilities, please contact a STIHL customer service representative at 1-800-467-8445 or you can write to

STIHL Inc.,
536 Viking Drive, P.O. Box 2015,
Virginia Beach, VA 23450-2015

www.stihlusa.com

Coverage by STIHL Incorporated

STIHL Incorporated warrants to the ultimate purchaser and each subsequent purchaser that your small off-road equipment engine will be designed, built and equipped, at the time of sale, to meet all applicable regulations. STIHL Incorporated also warrants to the initial purchaser and each subsequent purchaser that your engine is free from defects in materials and workmanship which cause the engine to fail to conform with applicable regulations for a period of two years.

Warranty Period

The warranty period will begin on the date the utility equipment engine is purchased by the initial purchaser and you have signed and sent back the warranty card to STIHL.

If any emission-related part on your engine is defective, the part will be replaced by STIHL Incorporated at no cost to the owner. Any warranted part which is not scheduled for replacement

as required maintenance, or which is scheduled only for regular inspection to the effect of "repair or replace as necessary" will be warranted for the warranty period. Any warranted part which is scheduled for replacement as required maintenance will be warranted for the period of time up to the first scheduled replacement point for that part.

Diagnosis

You, as the owner, shall not be charged for diagnostic labor which leads to the determination that a warranted part is defective. However, if you claim warranty for a component and the machine is tested as non-defective, STIHL Incorporated will charge you for the cost of the emission test. Mechanical diagnostic work will be performed at an authorized STIHL servicing dealer. Emission test may be performed either at STIHL Incorporated or at any independent test laboratory.

Warranty Work

STIHL Incorporated shall remedy warranty defects at any authorized STIHL servicing dealer or warranty station. Any such work shall be free of charge to the owner if it is determined that a warranted part is defective.

Any manufacturer-approved or equivalent replacement part may be used for any warranty maintenance or repairs on emission-related parts and must be provided without charge to the owner. STIHL Incorporated is liable for

damages to other engine components caused by the failure of a warranted part still under warranty.

The following list specifically defines the emission-related warranted parts:

- Air Filter
- Carburetor (if applicable)
- Fuel Pump
- Choke (Cold Start Enrichment System) (if applicable)
- Control Linkages
- Intake Manifold
- Magneto or Electronic Ignition System (Ignition Module or Electronic Control Unit)
- Fly Wheel
- Spark Plug
- Injection Valve (if applicable)
- Injection Pump (if applicable)
- Throttle Housing (if applicable)
- Cylinder
- Muffler
- Catalytic Converter (if applicable)
- Fuel Tank
- Fuel Cap
- Fuel Line
- Fuel Line Fittings
- Clamps
- Fasteners

Where to make a Claim for Warranty Service

Bring the product to any authorized STIHL servicing dealer and present the signed warranty card.

Maintenance Requirements

The maintenance instructions in this manual are based on the application of the recommended 2-stroke fuel-oil mixture (see also instruction "Fuel"). Deviations from this recommendation regarding quality and mixing ratio of fuel and oil may require shorter maintenance intervals.

Limitations

This Emission Control Systems Warranty shall not cover any of the following:

- repair or replacement required because of misuse, neglect or lack of required maintenance,
- repairs improperly performed or replacements not conforming to STIHL Incorporated specifications that adversely affect performance and/or durability, and alterations or modifications not recommended or approved in writing by STIHL Incorporated,

and

- replacement of parts and other services and adjustments necessary for required maintenance at and after the first scheduled replacement point.

Trademarks

STIHL Registered Trademarks

STIHL®

STIHL®



The color combination orange-grey (U.S. Registrations #2,821,860; #3,010,057, #3,010,058, #3,400,477; and #3,400,476)



AutoCut®

FARM BOSS®

iCademy®

MAGNUM®

MasterWrench Service®

MotoMix®

OILOMATIC®

Rock Boss®

STIHL Cutquik®

STIHL DUROMATIC®

STIHL Quickstop®

STIHL ROLLOMATIC®

STIHL WOOD BOSS®

TIMBERSPORTS®

WOOD BOSS®

YARD BOSS®

Some of STIHL's Common Law Trademarks



4-MIX™

BioPlus™

Easy2Start™

EasySpool™

ElastoStart™

Ematic™

FixCut™

IntelliCarb™

Master Control Lever™

Micro™

Pro Mark™

Quiet Line™

STIHL M-Tronic™

English

STIHL OUTFITTERS ™

STIHL PICCO ™

STIHL PolyCut ™

STIHL PowerSweep ™

STIHL Precision Series ™

STIHL RAPID ™

STIHL SuperCut ™

TapAction ™

TrimCut ™

This listing of trademarks is subject to change.

Any unauthorized use of these trademarks without the express written consent of

ANDREAS STIHL AG & Co. KG,
Waiblingen is strictly prohibited.

Contenido

Acerca de este manual de instrucciones	32	Desecho	59
Medidas de seguridad y técnicas de manejo	33	Declaración de garantía de STIHL Incorporated sobre sistemas de control de emisiones según normas Federales	59
Armado de la máquina	42	Marcas comerciales	62
Ajuste del cable del acelerador	43		
Combustible	43		
Llenado de combustible	44		
Freno de barrena	45		
Instalación de la barrena	46		
Arranque / parada del motor	46		
Instrucciones para el uso	49		
Liberación de una barrena atascada	50		
Sustitución del filtro de aire	50		
Gestión del motor	50		
Ajuste del carburador	51		
Bujía	51		
Funcionamiento del motor	52		
Lubricación de la caja de engranajes	53		
Almacenamiento de la máquina	53		
Inspección y mantenimiento por el concesionario	53		
Información para mantenimiento	54		
Componentes importantes	56		
Especificaciones	57		
Información de reparación	58		

Permita que solamente las personas que comprenden totalmente la materia tratada en este manual manejen su motoperforadora.

Para obtener el rendimiento y satisfacción máximos de la motoperforadora STIHL, es importante que lea, obedezca y comprenda las precauciones de seguridad y las instrucciones de uso y mantenimiento dadas en el capítulo "Precauciones de seguridad y técnicas de uso", antes de usar la motoperforadora. Para información adicional, puede acudir a www.stihlusa.com.

Comuníquese con su representante de STIHL o el distribuidor de STIHL para su zona si no se entiende alguna de las instrucciones dadas en el presente manual.

ADVERTENCIA

Dado que la motoperforadora es una herramienta con motor de gasolina que funciona con un par motor elevado, es necesario tomar medidas especiales de seguridad para reducir el riesgo de lesiones personales. El uso descuidado o inadecuado puede causar lesiones graves e incluso mortales.

Acerca de este manual de instrucciones

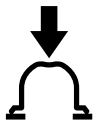
Pictogramas

Todos los pictogramas que se encuentran fijados o grabados en la máquina se explican en este manual.

Según el modelo, los pictogramas siguientes pueden aparecer en su máquina.



Tanque de combustible que contiene la mezcla de combustible y aceite



Presione para accionar la bomba manual de combustible



Freno de barra

Símbolos en el texto

Muchas de las instrucciones de uso y seguridad vienen acompañadas de ilustraciones.

Los pasos individuales o procedimientos descritos en el manual pueden estar señalados en diferentes maneras:

- Se usa un punto para denotar un paso o procedimiento.

Una descripción de un paso o procedimiento que se refiere directamente a una ilustración puede contener números de referencia que aparecen en la ilustración. Ejemplo:

- Suelte el tornillo (1).
- Palanca (2) ...

Además de las instrucciones de uso, en este manual pueden encontrarse párrafos a los que usted debe prestar atención especial. Tales párrafos están marcados con los símbolos y las palabras identificadoras que se describen a continuación.



PELIGRO

Indica un riesgo inminente de lesiones graves o mortales.



ADVERTENCIA

Identifica una situación de peligro que, al no evitarse, puede resultar en lesiones graves o mortales.

INDICACIÓN

Indica el riesgo de daños a la propiedad, incluyendo a la máquina o sus componentes.

Mejoramientos técnicos

La filosofía de STIHL es mejorar continuamente todos sus productos. Como resultado de ello, periódicamente se introducen cambios de diseño y mejoras. Por lo tanto, es posible que algunos cambios, modificaciones y mejoras no se describen en este manual. Si las características de funcionamiento o la apariencia de su

máquina difieren de las descritas en este manual, comuníquese con el concesionario STIHL para obtener la ayuda que requiera.

Medidas de seguridad y técnicas de manejo



Dado que la motoperforadora es una herramienta con motor de gasolina que funciona con un par motor elevado, es necesario tomar medidas especiales de seguridad para reducir el riesgo de lesiones personales.



Es importante que usted lea, comprenda bien y respete las siguientes advertencias y medidas de seguridad. Lea el manual de instrucciones y las precauciones de seguridad periódicamente. El uso descuidado o inadecuado puede causar lesiones graves o incluso la muerte.

Pida a su concesionario STIHL que le enseñe el manejo de la herramienta motorizada. Respete todas las disposiciones, reglamentos y normas de seguridad federales, estatales y locales del caso.



PELIGRO



Si se taladran o se tocan alambres eléctricos, se pueden sufrir sacudidas eléctricas severas, quemaduras, o la muerte. Vea la sección "Condiciones de trabajo", más adelante.



ADVERTENCIA

Si usted choca contra un objeto duro bajo tierra con el taladro giratorio, la reducción de velocidad o parada repentina de la barrena causará fuerzas reactivas. La transferencia de las fuerzas de rotación (reactivas) puede hacer que la unidad motriz y sus mangos giren repentinamente en sentido contrahorario, posiblemente causando la pérdida del control, o haciendo que el bastidor de mango golpee al operador o lo lance al suelo, causando lesiones graves.



ADVERTENCIA

No preste ni alquile nunca su herramienta motorizada sin entregar el manual de instrucciones. Asegúrese de que todas las personas que utilicen la máquina hayan comprendido la información que contiene este manual.



ADVERTENCIA

El uso de esta máquina puede ser peligroso. Si el taladro llega a tener contacto con parte alguna de su cuerpo, puede causar lesiones por impacto o por cortaduras.

Utilice su motoperforadora únicamente para taladrar agujeros en el suelo (con barrenas para suelo) o en el hielo (con barrenas para hielo).



ADVERTENCIA

No debe usarse para ningún otro propósito ya que el uso indebido puede resultar en lesiones personales o daños a la propiedad, incluso daños de la máquina.



ADVERTENCIA

Nunca se debe permitir a los niños que usen esta herramienta motorizada. No se debe permitir la proximidad de otras personas, especialmente de niños, ni de animales en los lugares donde se esté utilizando la máquina.



ADVERTENCIA

Para reducir el riesgo de ocasionar lesiones a las personas en la cercanía y daños a la propiedad, nunca deje la herramienta motorizada en marcha desatendida. Cuando no está en uso (por ejemplo durante el descanso), apáguela y asegúrese que las personas no autorizadas no puedan usarla.

Las medidas de seguridad y avisos contenidos en este manual se refieren al uso de todas las motoperforadoras de STIHL. Los distintos modelos pueden contar con piezas y controles diferentes. Vea la sección correspondiente de su manual de instrucciones para tener una descripción de los controles y la función de los componentes de su modelo.

El uso seguro de una motoperforadora atañe a

- 1 el operador
- 2 la herramienta motorizada
- 3 el uso de la herramienta motorizada.

EL OPERADOR

Condición física

Usted debe estar en buenas condiciones físicas y psíquicas y no encontrarse bajo la influencia de ninguna sustancia (drogas, alcohol, etc.) que le pueda restar visibilidad, destreza o juicio. No maneje esta máquina cuando está fatigado.

ADVERTENCIA

Esté alerta. Si se cansa, tómese un descanso. El cansancio puede provocar una pérdida del control. El uso de cualquier herramienta motorizada es fatigoso. Si usted padece de alguna dolencia que pueda ser agravada por la fatiga, consulte a su médico antes de utilizar esta herramienta motorizada.

ADVERTENCIA

El uso prolongado de una herramienta motorizada (u otras máquinas) expone al operador a vibraciones que pueden provocar el fenómeno de Raynaud (dedos blancos) o el síndrome del túnel carpiano.

Estas condiciones reducen la capacidad de las manos de sentir y regular la temperatura, producen entumecimiento y ardor y pueden provocar trastornos nerviosos y circulatorios, así como necrosis de los tejidos.

No se conocen todos los factores que contribuyen a la enfermedad de Raynaud, pero el clima frío, el fumar y las enfermedades o condiciones físicas que afectan los vasos sanguíneos y la circulación de la sangre, como asimismo

los niveles altos de vibración y períodos prolongados de exposición a la vibración son mencionados como factores en el desarrollo de la enfermedad de Raynaud. Por lo tanto, para reducir el riesgo de la enfermedad de dedos blancos y del síndrome del túnel carpiano, sírvase notar lo siguiente:

La mayor parte de las herramientas motorizadas de STIHL se ofrecen con un sistema antivibración ("AV") cuyo propósito es reducir la transmisión de las vibraciones creadas por la máquina a las manos del operador. Se recomienda el uso del sistema AV a aquellas personas que utilizan herramientas motorizadas en forma constante y regular.

- Use guantes y mantenga las manos abrigadas.
- Mantenga el sistema AV en buen estado. Una herramienta motorizada con los componentes flojos o con elementos AV dañados o desgastados también tendrá tendencia a tener niveles más altos de vibración.
- Agarre firmemente los mangos en todo momento, pero no los apriete con fuerza constante y excesiva. Tómese descansos frecuentes.

Todas las precauciones antes mencionadas no le garantizan que va a estar totalmente protegido contra la enfermedad de Raynaud o el síndrome del túnel carpiano. Por lo tanto, los operadores constantes y regulares deben revisar con frecuencia el estado de sus manos y dedos. Si aparece

alguno de los síntomas arriba mencionados, consulte inmediatamente al médico.

ADVERTENCIA

El sistema de encendido de la máquina STIHL produce un campo electromagnético de intensidad muy baja. El mismo puede interferir con algunos tipos de marcapasos. Para reducir el riesgo de lesiones graves o mortales, las personas portadoras de marcapasos deben consultar a sus médicos y al fabricante del marcapasos antes de usar esta máquina.

Vestimenta adecuada

ADVERTENCIA

Para reducir el riesgo de lesiones el operador debe usar el equipo protector adecuado.

ADVERTENCIA



Para reducir el riesgo de lesionarse los ojos, nunca maneje la herramienta motorizada si no tiene puestas gafas o anteojos de seguridad bien ajustados con una protección adecuada en las partes superior y lateral que satisfagan la norma ANSI Z87 "+" (o la norma nacional correspondiente).

El ruido de la herramienta motorizada puede dañar los oídos. Siempre use amortiguadores del ruido (tapones u orejeras) para protegerse los oídos. Los usuarios constantes y regulares deben someterse con frecuencia a un examen o control auditivo.

Esté especialmente alerta y tenga cuidado cuando se usa protectores de oídos, ya que los mismos reducen la posibilidad de oír señales de advertencia (gritos, alarmas, etc.).



La ropa debe ser de confección fuerte y ajustada, pero no tanto que impida la completa libertad de movimiento. Use monos o pantalones largos hechos de un material grueso para protegerse las piernas. No use pantalones cortos, sandalias o pies descalzos.

Evite el uso de chaquetas sueltas, bufandas, corbatas, joyas, pantalones anchos o con vuelta, cabello largo sin recoger o cualquier cosa que pudiera ser aspirada por la herramienta perforadora. Sujétese el pelo de modo que quede sobre los hombros.



Es muy importante tener una buena superficie de apoyo para los pies. Póngase botas gruesas con suela antideslizante. Recomendamos las botas de seguridad con puntera de acero.



Utilice un casco de seguridad aprobado para reducir el riesgo de lesionarse la cabeza en caso de existir tal tipo de peligro.



Siempre use guantes gruesos (por ejemplo, fabricados de cuero u otro material resistente al desgaste) cuando manipule la máquina y la herramienta perforadora. Los guantes gruesos y antideslizantes mejoran el manejo y ayudan a proteger las manos.

LA HERRAMIENTA MOTORIZADA

Para las ilustraciones y definiciones de los componentes de la herramienta motorizada, vea el capítulo sobre "Piezas principales".

ADVERTENCIA

Nunca modifique, de ninguna manera, esta herramienta motorizada. Utilice únicamente los accesorios y repuestos suministrados por STIHL o expresamente autorizados por STIHL para usarse con el modelo específico de STIHL. Si bien es posible conectar a la herramienta motorizada de STIHL ciertos accesorios, taladros y barrenas no autorizados, su uso puede ser, en la práctica, extremadamente peligroso.

Si la máquina experimenta cargas excesivas para las cuales no fue diseñada (por ejemplo, impactos severos o una caída), siempre asegúrese que la máquina esté en buenas condiciones antes de seguir con el trabajo. Inspeccione específicamente la integridad del sistema de combustible (ausencia de fugas), y asegúrese de que los controles y dispositivos de seguridad funcionen como corresponde. No siga manejando esta máquina si está dañada. En caso de dudas, pida que el concesionario de servicio de STIHL la revise.

USO DE LA HERRAMIENTA MOTORIZADA

Transporte de la herramienta motorizada

ADVERTENCIA

Antes de apoyar la motoperforadora en el suelo o de acarrearla, apague el motor. Acarrear la motoperforadora con el motor funcionando es extremadamente peligroso. La

aceleración accidental del motor puede causar la rotación de la herramienta perforadora.

ADVERTENCIA

Durante el funcionamiento, el silenciador del motor y los componentes que lo rodea se calientan a temperaturas sumamente altas. Evite colocar una máquina caliente en material seco e inflamable y evite tocar el silenciador caliente; puede sufrir quemaduras graves.

Transporte la unidad por el bastidor de mando con las partes calientes de la máquina (por ej. la caja de engranajes) lejos de su cuerpo.

Retire la barrena antes de transportar la herramienta motorizada por una distancia considerable.

Cuando transporte la herramienta motorizada en un vehículo, sujétela firmemente para impedir su vuelco, el derrame de combustible y daños.

Cuando la herramienta motorizada no esté en uso, apáguela y colóquela en el suelo, de modo que no represente un peligro para los demás.

Combustible

La herramienta motorizada STIHL utiliza una mezcla de aceite-gasolina como combustible (vea el capítulo "Combustible" en el manual del propietario).

ADVERTENCIA



La gasolina es un combustible muy inflamable. Si se derrama y arde a causa de una chispa u otra fuente de ignición, puede provocar un incendio y quemaduras graves o daños a la propiedad. Tenga sumo cuidado cuando manipule gasolina o la mezcla de combustible. No fume cerca del combustible o la herramienta motorizada, ni acerque ningún fuego o llama a ellos. Puede escapar vapor inflamable del sistema de combustible.

Instrucciones para el llenado de combustible

ADVERTENCIA

Cargue de combustible su herramienta motorizada en lugares al aire libre bien ventilados. Siempre apague el motor y deje que se enfríe antes de llenar de combustible. Dependiendo del combustible utilizado, de las condiciones climáticas y del sistema de ventilación del depósito, es posible que se forme vapor de gasolina a presión dentro del depósito de combustible.

Para reducir el riesgo de quemaduras, así como otras lesiones corporales ocasionadas por los escapes de vapor de gasolina y otras emanaciones, quite la tapa de llenado de combustible de la herramienta motorizada

cuidadosamente de modo que la presión que se pueda haber acumulado en el depósito se disipe lentamente. Nunca quite la tapa de llenado de combustible mientras el motor esté funcionando.

Elija una superficie despejada para llenar el depósito y aléjese 3 m (10 pies) por lo menos del lugar en que lo haya llenado antes de arrancar el motor. Limpie todo el combustible derramado antes de arrancar la máquina.

ADVERTENCIA



Compruebe que no existen fugas de combustible mientras llena el depósito y durante el funcionamiento de la máquina. Si detecta alguna fuga de combustible, no arranque el motor ni lo haga funcionar sin antes reparar la fuga y limpiar el combustible derramado. Tenga cuidado de no mancharse la ropa con combustible. Si la mancha, cámbiesela inmediatamente.

Tapa roscada

! ADVERTENCIA



Las vibraciones de la máquina pueden aflojar una tapa de combustible que ha quedado mal apretada, o simplemente soltarla y derramar combustible. Para reducir el riesgo de derrames e incendio, apriete la tapa de llenado de combustible a mano tan firmemente como sea posible.

Consulte el capítulo "Llenado de combustible" en el manual de instrucciones.

Antes de arrancar

! ADVERTENCIA

Siempre revise la herramienta motorizada para comprobar que está en buenas condiciones y que funciona correctamente antes de arrancarla, en particular el gatillo de aceleración y su bloqueo, el control deslizante, la herramienta perforadora y el freno de barrena. El gatillo de aceleración debe moverse libremente y siempre debe regresar a la posición de marcha en vacío por la acción de resorte. Nunca intente modificar los controles o los dispositivos de seguridad. El mantenimiento periódico es importante en cuanto a esto. Asegúrese de que la herramienta perforadora se encuentre en buenas condiciones y seguramente montada.

! ADVERTENCIA

Revise el sistema de combustible en busca de fugas, especialmente las partes visibles, por ejemplo, la tapa de llenado, conexiones de mangueras y la bomba de combustible manual (únicamente para herramientas motorizadas equipadas con una bomba de combustible de mano). No arranque el motor si se observan fugas o daños – ¡Riesgo de incendios! Solicite al concesionario que repare la máquina antes de usarla.

! ADVERTENCIA

No maneje nunca una herramienta motorizada que esté dañada, mal ajustada o mantenida o que no fue armada completa y debidamente.

! ADVERTENCIA

Asegúrese de que el casquillo de la bujía esté firmemente colocado – un casquillo suelto puede crear un arco voltaico y encender los vapores del combustible, provocando un incendio.

Mantenga los mangos limpios y secos en todo momento; es particularmente importante mantenerlos libres de humedad, aceite, combustible, grasa o resinas para garantizar que la máquina pueda empuñarse firmemente para mantenerla bajo control seguro.

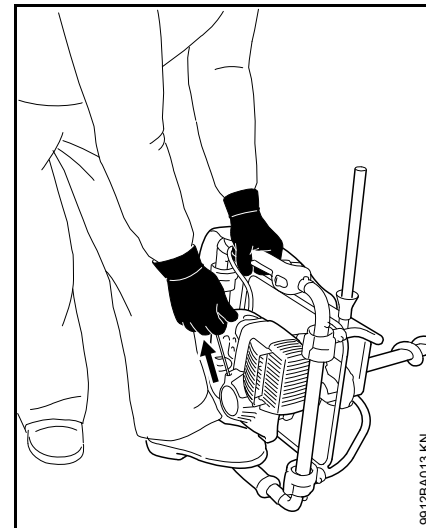
Freno de barrena

Su modelo de motoperforadora tiene un freno de barrena que tiene por objeto reducir el riesgo de lesiones causadas por fuerzas reactivas parando la rotación de la barrena/unidad motriz cuando se aplica la palanca del freno.

También debe usarse durante el arranque y cuando se libera una barrena atascada. Para información acerca de la aplicación del freno, vea el capítulo "Freno de barrena".

Arranque

Arranque el motor solamente al aire libre, por lo menos 3 m (10 pies) del lugar en que lo haya llenado.



Para las instrucciones específicas de arranque, vea la sección correspondiente en el manual del usuario. Coloque la herramienta motorizada sobre suelo firme u otra superficie sólida en un lugar abierto. Mantenga el equilibrio y elija un buen punto de apoyo para los pies.

! ADVERTENCIA

El operador debe arrancar la motoperforadora únicamente cuando lo está sosteniendo firmemente.

! ADVERTENCIA

Para reducir el riesgo de la pérdida de control de la máquina, asegúrese de que el freno de la barrena está aplicado. Al arrancar el motor con el acelerador en posición de arranque, su velocidad será suficiente para conectar el embrague y, si el freno de barrena no está aplicado, girar la herramienta perforadora.

Tan pronto arranque, accione inmediatamente por un breve momento el gatillo de aceleración para desconectarlo de la posición de arranque y permitir que el motor se desacelere a la marcha en vacío.

! ADVERTENCIA

Su herramienta motorizada es una máquina que debe ser manejada por solamente una persona. No deje que otras personas estén en el lugar de trabajo, aun durante el arranque.

! ADVERTENCIA

Cuando tire del mango de arranque, no enrolle la cuerda de arranque alrededor de la mano. No deje que el mango retroceda bruscamente, sino guíe la cuerda de arranque para que se enrolle debidamente. Si no ejecuta este procedimiento puede lastimarse la mano o los dedos y también dañar el mecanismo de arranque.

Ajustes importantes

! ADVERTENCIA

Para reducir el riesgo de lesiones personales debido a la pérdida de control o al contacto con el accesorio de

perforación en movimiento, no use una máquina cuyo régimen de marcha en vacío está mal regulado. Cuando la velocidad de marcha en vacío está correctamente regulada, la herramienta perforadora no debe girar. Para instrucciones acerca de cómo ajustar el régimen de marcha en vacío, vea la sección correspondiente del manual de instrucciones.

Si no puede regular correctamente la marcha en vacío, pida a su concesionario STIHL que revise la herramienta motorizada y haga los ajustes o reparaciones correspondientes.

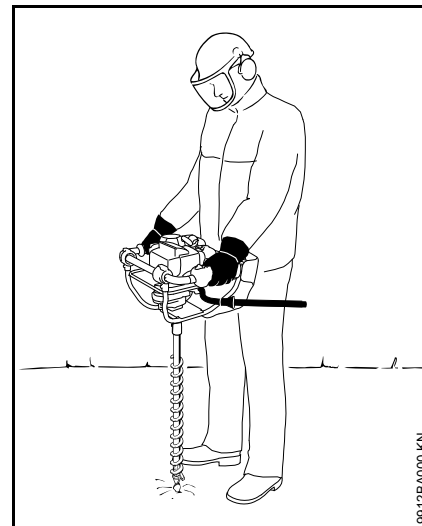
Durante el funcionamiento

Sujeción y control de la herramienta motorizada

Al trabajar, siempre sujete la máquina firmemente con ambas manos en los mangos. Cierre firmemente los dedos y pulgares sobre los mangos.

Mantenga las manos en esta posición, para que siempre tenga la motoperforadora bien controlada.

Seleccione el ángulo de perforación de modo que la palanca del freno de barrena esté siempre en una posición para ser activada por el muslo izquierdo del operador.



! ADVERTENCIA

No trate de alcanzar más lejos de lo debido. Mantenga los pies bien apoyados y equilibrados en todo momento. Se debe tener cuidado especial cuando las condiciones del suelo son resbaladizas (suelo húmedo, nieve o hielo) y en terreno difícil y con mucha vegetación. Para evitar tropezarse, esté atento a los obstáculos ocultos tales como tocones, raíces y zanjas. Para obtener un punto de apoyo seguro, quite las ramas caídas, los matorrales y el material cortado. Tenga sumo cuidado al trabajar en suelos inclinados o desnivelados, y al trabajar con la barrena para hielo sobre una superficie helada.

Condiciones de trabajo

Maneje y arranque su herramienta motorizada solamente al aire libre en un lugar bien ventilado. Manéjela

solamente en condiciones de buena visibilidad y a la luz del día. Trabaje con mucho cuidado.

ADVERTENCIA



Tan pronto arranca, este producto genera vapores de escape tóxicos que contienen productos químicos (tales como hidrocarburos sin quemar y monóxido del carbono, incluyendo el benceno) considerados como causantes de enfermedades respiratorias, cáncer, defectos de nacimiento u otra toxicidad reproductora. Algunos de estos gases (por ej., monóxido de carbono) pueden ser incoloros e inodoros. Para reducir el riesgo de sufrir lesiones graves o mortales por respirar gases tóxicos, nunca haga funcionar la máquina puertas adentro o en lugares mal ventilados.

ADVERTENCIA

La inhalación de ciertos polvos, especialmente los polvos orgánicos, tales como el moho o polen, puede provocar reacciones alérgicas o asmáticas en las personas sensibles. La inhalación repetida o de grandes cantidades de polvo u otros contaminantes del aire, especialmente los de partículas pequeñas puede causar enfermedades respiratorias o de

otro tipo. Controle el polvo en su fuente, siempre que sea posible. Utilice buenas prácticas de trabajo, tal como trabajar de manera que el viento o el proceso de corte dirija el polvo producido por la herramienta motorizada en sentido opuesto del operador. Observe las recomendaciones emitidas por EPA/OSHA/NIOSH y las asociaciones de trabajo y los sindicatos con respecto al polvo ("materia particulada"). Cuando sea imposible eliminar significativamente la inhalación del polvo, es decir mantener el nivel cerca del valor ambiente, el operador y las personas que se encuentren en la cercanía siempre deberán usar un respirador aprobado por NIOSH/MSHA para el tipo de polvo presente en el lugar.



Si usted choca con algún objeto duro bajo tierra, tal como piedra o grava, esto puede hacer que la herramienta perforadora reduzca su velocidad o se detenga repentinamente. En una situación semejante, la fuerza rotacional (reactiva) se transfiere total o parcialmente a la unidad motriz y al bastidor de mango de la motoperforadora, lo cual puede hacer que la unidad motriz y los mangos giren súbitamente en sentido contrahorario.

ADVERTENCIA

Trabaje con cuidado en suelo rocoso, o si hay otros objetos sólidos presentes. Mantenga la presión de alimentación a

un mínimo. Si se percibe o escucha que la herramienta perforadora ha chocado con un objeto sólido, suelte el gatillo de inmediato y quite el objeto antes de continuar perforando. Al perforar en suelo arcilloso pesado, taladre aproximadamente 1/3 de la profundidad deseada y extraiga la barrena del hoyo. Limpie la barrena de la herramienta perforadora y continúe avanzando lentamente y limpiándola frecuentemente.

ADVERTENCIA

Sujete la motoperforadora con firmeza para controlar los saltos repentinos y las fuerzas reactivas. Esté preparado para soltar el gatillo si las fuerzas resultan ser demasiado grandes. Si no se controlan las fuerzas reactivas, la rotación de los mangos puede causar saltos fuertes y la pérdida de control, y puede hacer que el bastidor de mango le golpee o le lance al suelo. Su modelo de motoperforadora viene equipado con un freno de barrena. Si la barrena choca contra un objeto imposible de penetrar y la unidad motriz comienza a girar, la palanca accionadora del freno de barrena toca el muslo del operador y aplica el freno para detener la rotación de la unidad motriz.

ADVERTENCIA

Para reducir el riesgo de sufrir lesiones graves o mortales causadas por fuerzas reactivas, nunca haga funcionar la motoperforadora puertas adentro sin tener un freno de barrena en buenas condiciones.

Si la barrena se atasca en el hoyo perforado, apague el motor de inmediato y extráigala según se describe en el capítulo "Liberación de una barrena atascada".

! PELIGRO



El contacto con cables o alambres eléctricos puede causar lesiones graves o mortales como resultado de las sacudidas eléctricas. Esta máquina no está aislada.

! ADVERTENCIA

Para reducir el riesgo de sacudidas eléctricas y daños a la propiedad, siempre esté atento a la presencia de tubos y cables subterráneos y de alambres de tendido eléctrico. Antes de perforar, obtenga los planos y permisos del caso. Para mayor información en cuanto a la ubicación de cables y tuberías, comuníquese con la empresa de servicios públicos local o con un servicio de localización de líneas y tuberías. De ser necesario, confirme la ubicación real usando dispositivos tales como detectores de cables y/o excavando zanjas cuidadosamente. Manténgase alejado de los cables eléctricos suspendidos al sacar la herramienta perforadora del hoyo. Si alguna parte de la máquina choca con un alambre, se causará una sacudida eléctrica y lesiones personales graves o la muerte.

! ADVERTENCIA

Antes de utilizar la barrena para hielo sobre un estanque, lago o río congelado, consulte a las autoridades locales y tome todas las precauciones necesarias para comprobar que el hielo tenga un grosor adecuado.

! ADVERTENCIA

Los objetos arrojados o lanzados pueden rebotar y golpear al operador.

Instrucciones de manejo

! ADVERTENCIA

No maneje la herramienta motorizada usando el bloqueo de acelerador para arranque, pues no tendrá control de la velocidad del motor.

En caso de emergencia, apague el motor inmediatamente – mueva el control deslizante a **0** o **STOP**

! ADVERTENCIA

Al sacar la herramienta perforadora del hoyo, levante la máquina en sentido vertical, de modo que la herramienta salga directamente hacia afuera, sin atorarse con las paredes del hoyo. Para reducir las salpicaduras al perforar hielo, reduzca la aceleración cuando la herramienta perforadora atraviese el hielo. Levante la máquina lentamente. Cubra los hoyos perforados y márquelos de modo claro para prevenir que alguno caiga en un hoyo.

! ADVERTENCIA

Para reducir el riesgo de lesionarse, nunca toque una herramienta perforadora o árbol de perforación en movimiento con la mano ni con parte alguna del cuerpo mientras el motor de combustión está funcionando o la herramienta perforadora está girando. Este sigue girando por un rato después que se suelta el gatillo de aceleración. Siempre apague el motor antes de poner la máquina en el suelo.

! ADVERTENCIA

Las hojas y la punta de la herramienta perforadora están afiladas. Para reducir el riesgo de sufrir una cortadura, tenga cuidado al usarlas o manipularlas.

MANTENIMIENTO, REPARACIÓN Y ALMACENAMIENTO

Los trabajos de mantenimiento, reemplazo o reparación de los dispositivos y sistemas de control de emisiones de escape pueden ser realizados por cualquier taller o técnico de motores no diseñados para vehículos. Sin embargo, si usted está reclamando cobertura de garantía para algún componente que no ha sido reparado o mantenido debidamente, o cuando se utilizan repuestos no autorizados, STIHL puede denegar la garantía.

! ADVERTENCIA

Utilice solamente las piezas de repuesto idénticas de STIHL para el mantenimiento y la reparación. El uso

de piezas no fabricadas por STIHL puede causar lesiones graves o mortales.

Siga precisamente las instrucciones de mantenimiento y reparación dadas en la sección correspondiente del manual de instrucciones. Consulte la tabla de mantenimiento en el final de este manual.

ADVERTENCIA

Siempre apague el motor antes de llevar a cabo cualquier trabajo de mantenimiento, reparación o limpieza de la herramienta motorizada.

ADVERTENCIA

No intente hacer ningún trabajo de mantenimiento o reparación que no esté descrito en su manual de instrucciones. Este tipo de trabajo debe ser realizado únicamente por el concesionario de servicio de STIHL.

ADVERTENCIA

No pruebe nunca el sistema de encendido con el casquillo desconectado de la bujía, o sin tener instalada la bujía, ya que las chispas al descubierto pueden causar un incendio.

ADVERTENCIA

Use la bujía especificada y asegúrese de que ella y el cable de encendido están limpios y en buen estado. Siempre inserte el casquillo de la bujía bien apretado en el borne de la bujía del tamaño adecuado. (Nota: Si el borne tiene una tuerca adaptadora SAE desmontable, la misma tiene que ser

firmemente instalada.) Una conexión suelta entre el borne de la bujía y el conector del cable de encendido en el casquillo puede crear un arco voltaico y encender los vapores del combustible, provocando un incendio.

ADVERTENCIA

Revise la condición del taladro en intervalos cortos regulares. Si nota algún cambio en el comportamiento de la herramienta, revise inmediatamente el apriete y busque señales de agrietamiento.

ADVERTENCIA

Use guantes para manipular o efectuar trabajos de mantenimiento de las herramientas perforadoras.

ADVERTENCIA

Sustituya las herramientas de perforación dañadas inmediatamente, incluso si tienen sólo alguna grieta superficial. Nunca intente reparar las herramientas perforadoras dañadas.

ADVERTENCIA

Nunca maneje su herramienta motorizada si el silenciador está dañado, se ha perdido o si fue modificado. Un silenciador mal cuidado aumenta el riesgo de incendio y puede causar pérdida de audición. El silenciador está equipado con un chispero para reducir el riesgo de incendio; no maneje nunca su herramienta motorizada si le falta el chispero o está dañado. Recuerde que

el riesgo de incendios de matorrales o forestales es mayor durante las estaciones calurosas y secas.

En California, constituiría una violación de los acápites § 4442 o § 4443 del Código de Recursos Públicos el uso de herramientas con motor de gasolina en tierras cubiertas por bosques, arbustos o pastos, a menos que el sistema de escape del motor cuente con un chispero que satisfaga los requisitos legales y reciba un mantenimiento adecuado para estar en buenas condiciones de funcionamiento. El propietario/operador de este producto es responsable del mantenimiento adecuado del chispero. Otras entidades/agencias estatales o gubernamentales, tales como el Servicio Forestal de los EE.UU., pueden tener requisitos similares. Comuníquese con el cuerpo de bomberos de su localidad o con el servicio forestal para informarse en cuanto a las leyes y reglamentos relacionados con los requisitos de protección contra incendios.

Apriete todas las tuercas, pernos y tornillos, excepto los tornillos de ajuste del carburador, después de cada uso.

Para el mantenimiento del sistema de control de emisiones, consulte la tabla de mantenimiento **y la declaración de garantía limitada** que se encuentran cerca del final de este manual.

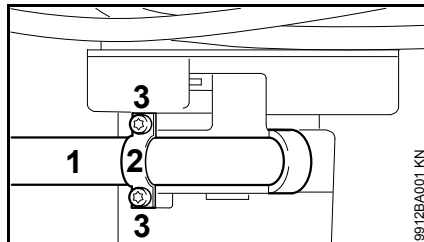
No limpie la máquina con una lavadora a presión. El chorro fuerte de agua puede dañar las piezas de la máquina.

Guarde su herramienta motorizada en un lugar seco y elevado o con llave lejos del alcance de los niños. Antes de guardar la máquina por más de unos

pocos días, siempre vacíe el tanque de combustible (vea el capítulo "Almacenamiento de la máquina" en el manual de instrucciones).

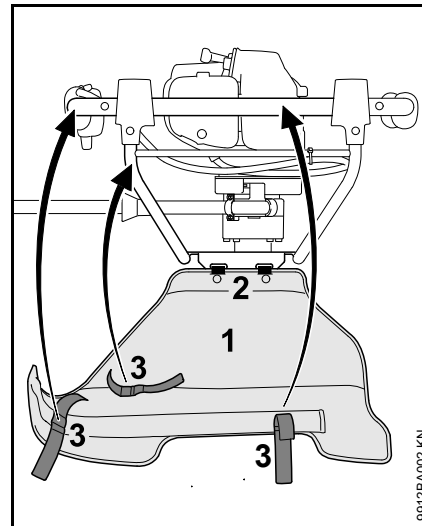
Armado de la máquina

Instalación de palanca accionadora del freno de barrena

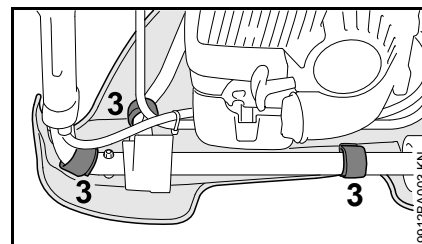


- Inserte la palanca accionadora (1) en la abrazadera.
- Coloque el sujetador (2) en la palanca accionadora.
- Enrosque los tornillos de fijación (3) y apriételos

Colocación del acolchado



- Enganche el acolchado (1) con las pestañas (2) en los agujeros alargados del bastidor de la palanca
- Plegado del acolchado

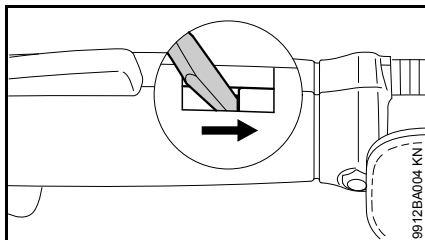


- Asegure el acolchado al mango con las tiras (3) – no obstruya el cable del acelerador

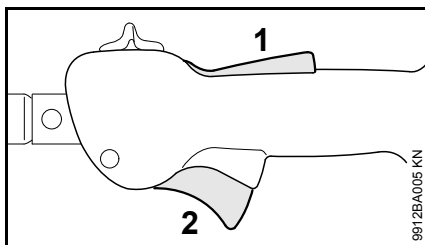
Ajuste del cable del acelerador

El ajuste correcto del cable del acelerador es necesario para el funcionamiento correcto del arranque en caliente, la marcha en vacío y la aceleración máxima.

Ajuste el cable del acelerador únicamente cuando la máquina esté completamente instalada – el mango de control deberá estar en la posición de trabajo.



- Utilice una herramienta para comprimir el tope del mango de control sobre el extremo de la ranura



- Abra el bloqueo (1) y abra el gatillo de aceleración (2) completamente (aceleración máxima) – esto ajusta el cable del acelerador correctamente.

Combustible

Este motor está certificado para funcionar con una mezcla de 50 a 1 de gasolina sin plomo y aceite STIHL para motores de dos tiempos.

Su motor requiere una mezcla de gasolina de alta calidad y aceite para motores de dos tiempos enfriados por aire.

Utilice gasolina sin plomo de grado intermedio con un octanaje mínimo de 89 ((R+M)/2) y un contenido de etanol no mayor que el 10%.

El combustible de octanaje bajo puede aumentar la temperatura de funcionamiento del motor. Esto, a su vez, aumenta el riesgo de que se agarrote el pistón y se dañe el motor.

La composición química del combustible también es importante. Algunos aditivos de combustible no solamente tienen efectos perjudiciales en los elastómeros (diafragmas de carburador, sellos de aceite, tuberías de combustible, etc.), sino también en las piezas fundidas de magnesio y en los convertidores catalíticos. Esto podría causar problemas de funcionamiento e incluso daño del motor. Por esta razón, STIHL recomienda el uso exclusivo de gasolina sin plomo reconocida de buena calidad.

La gasolina con un contenido de etanol mayor que el 10% puede causar problemas de funcionamiento y averías graves en motores, por lo cual no debe utilizarse.

Consulte www.STIHLusa.com/ethanol para mayor información

El contenido de etanol en la gasolina afecta el régimen de marcha del motor – podría resultar necesario reajustar el carburador si se utilizan combustibles con diversos niveles de contenido de etanol.

ADVERTENCIA

Para reducir el riesgo de lesiones personales debido a la pérdida de control y/o al contacto con la herramienta de corte en movimiento, no use una máquina cuyo régimen de marcha en vacío está mal regulado. Cuando el marcha en vacío está correctamente regulado, la herramienta de corte no debe moverse.

Si su herramienta motorizada indica que el régimen de marcha en vacío está mal regulado, pida a su representante de STIHL que revise la herramienta motorizada y haga los ajustes o reparaciones correspondientes.

Las velocidades de ralentí y máxima del motor varían si se cambia el combustible por otro con un contenido mayor o menor de etanol.

Este problema se evita si siempre se utiliza combustible con un mismo contenido de etanol.

Use solamente el aceite STIHL para motores de dos tiempos o un aceite de marca equivalente para motores de dos tiempos diseñado para usar exclusivamente con los motores de dos tiempos enfriados por aire.

Se recomienda usar aceite STIHL HP Ultra para motores de 2 tiempos, puesto que éste ha sido formulado especialmente para uso en motores STIHL.

No use aceites para mezclar con designaciones BIA o TCW (para motores de dos tiempos enfriados por agua) ni otros aceites para mezclar diseñados para usar en motores enfriados por agua o por aire (por ejemplo, en motores marinos fuera de borda, motonieves, sierras de cadenas, bicimotos, etc.).

! ADVERTENCIA

Manipule la gasolina con sumo cuidado. Evite el contacto directo con la piel y evite inhalar los vapores de combustible. Cuando se reabastece de combustible, quite primero el envase del vehículo y colóquelo en el suelo antes de llenarlo. Para reducir el riesgo de la formación de chispas causadas por la descarga de electricidad estática y un posible incendio y/o explosión, no llene los envases de combustible cuando están colocados dentro de un vehículo o remolque.

Mantenga el envase bien cerrado para limitar la cantidad de humedad que penetra en la mezcla.

Limpie el tanque de combustible de la máquina según sea necesario.

STIHL MotoMix

STIHL recomienda usar STIHL MotoMix. STIHL MotoMix tiene un índice de octanaje elevado y asegura que siempre se utilice la proporción correcta de mezcla.

STIHL MotoMix se mezcla con aceite STIHL HP Ultra para motores de dos tiempos para motores de alto rendimiento.

Consulte www.STIHLusa.com/ethanol para mayor información

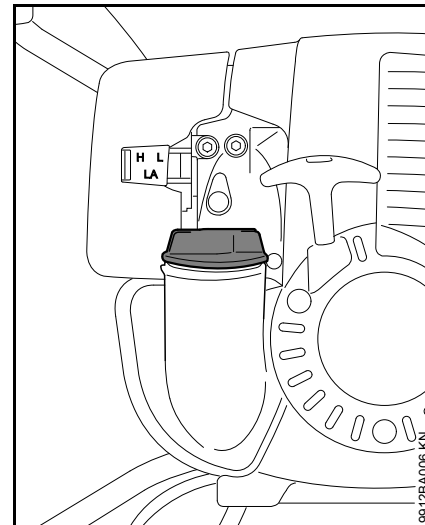
Duración de la mezcla de combustible

Mezcle una cantidad suficiente de combustible para trabajar unos pocos días, no lo guarde por más de 30 días. Guárdelo únicamente en envases aprobados para combustible. Para el proceso de mezclado, vierta el aceite en el envase primero y luego agregue la gasolina. Cierre el envase y agítelo vigorosamente a mano para asegurar que se mezclen bien el aceite y la gasolina.

Gasolina gal EE.UU.	Aceite (STIHL 50:1 ó aceite de alta calidad equivalente) oz fl EE.UU.
1	2,6
2 1/2	6,4
5	12,8

Deseche los envases vacíos usados para mezclar el aceite únicamente en vertederos autorizados para ello.

Llenado de combustible



Antes de llenar la máquina con combustible, limpie a fondo la tapa de llenado y la zona alrededor del mismo para evitar la entrada de tierra al depósito.

Siempre agite la mezcla vigorosamente en el recipiente antes de llenar la máquina con combustible.

! ADVERTENCIA

Para reducir el riesgo de quemaduras, así como de incendios y de lesiones corporales ocasionadas por los escapes de vapor de gasolina y otras emanaciones, quite la tapa de llenado de combustible cuidadosamente de

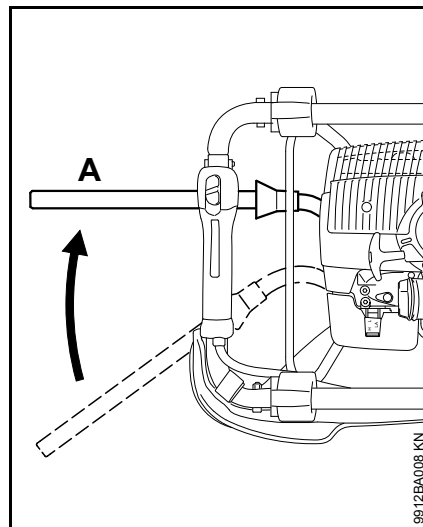
modo que la presión que se pueda haber acumulado en el depósito se disipe lentamente.

! ADVERTENCIA

Después de haber llenado la máquina con combustible, apriete la tapa del depósito tan firmemente como sea posible con la mano.

Freno de barrena

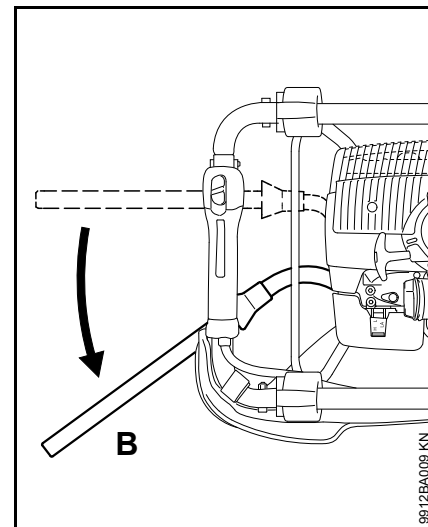
Activación del freno de barrena



- Mueva la palanca accionadora a la posición **A**
 - durante el arranque
 - durante la marcha en vacío
 - para liberar una barrena atascada

Si la barrena se atasca en el agujero (por ejemplo: en raíces o rocas), la barrena se mueve en sentido contrahorario – la palanca accionadora es movida contra el muslo del operador y esto aplica el freno de la barrena.

Soltado del freno de la barrena



- Mueva la palanca accionadora a la posición **B**

Revisión funcional del freno de barrena

El freno de la barrena está expuesto a desgaste normal. Antes de empezar a trabajar y después de haber liberado una barrena atascada, revise periódicamente si funciona correctamente.

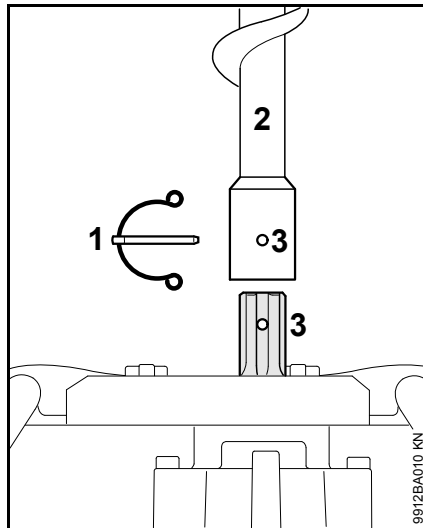
Cada vez, antes de empezar a trabajar y después de haber soltado una barrena atascada

- Cuando funciona a marcha en vacío, accione el freno de la barrena y acelere el motor a máxima por un período breve (3 segundos máximo) – la barrena no deberá girar.

Si el freno de barrena falla, solicite a un concesionario que lo repare de inmediato – STIHL recomienda acudir al concesionario de STIHL.

Instalación de la barrena

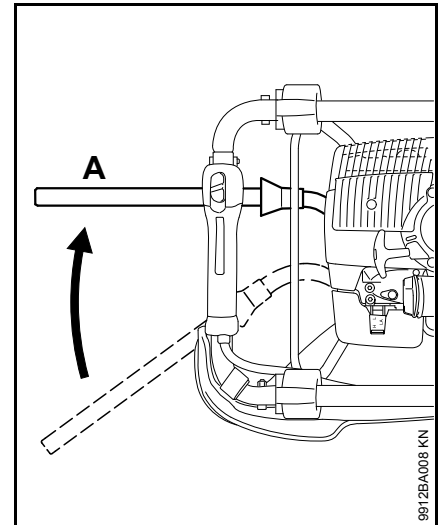
- Apague el motor y aplique el freno de barrena – vea "Freno de barrena".
- Coloque la barrena en el suelo – con el árbol de perforación orientado hacia arriba



- Tire del pasador de retención (1) hasta extraerlo del eje de la barrena.
- Empuje la barrena (2) en el árbol de perforación de modo que los agujeros (3) queden alineados.
- Empuje el pasador de retención en el agujero.
- Doble la pinza con resorte del pasador de retención hacia abajo, hasta que encierre al eje de la barrena.

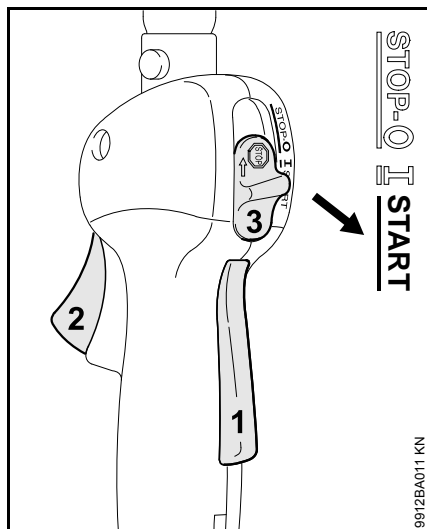
Arranque / parada del motor

Aplicación de la palanca del freno de barrena

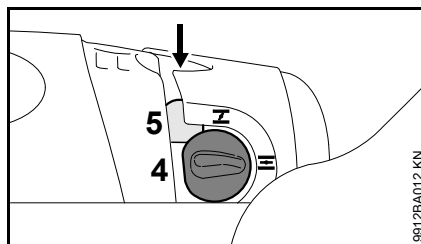



- Mueva la palanca accionadora a la posición A.

Arranque

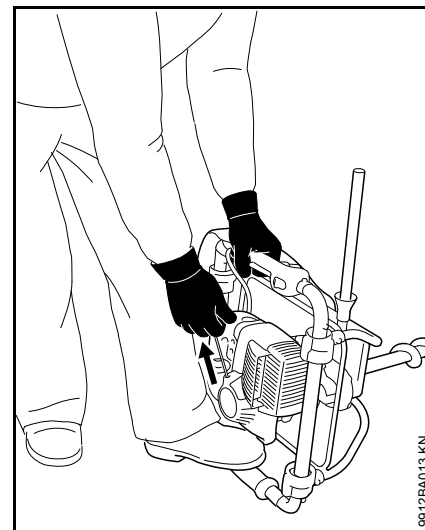


- Oprima la palanca de bloqueo del gatillo de aceleración (1) y oprima el gatillo del acelerador (2).
- Manténgalos en esa posición.
- Mueva el control deslizante a (3) a **START** y manténgalo en esa posición.
- Ahora suelte el gatillo de aceleración, el control deslizante y el bloqueo del gatillo, en el orden indicado. Esta es la **posición de arranque del acelerador**.



- Ajuste la perilla del estrangulador (4) en:
 Si el motor está frío para arranque en caliente – también utilice esta posición si el motor ha estado en marcha, pero todavía se encuentra frío.
- Comprima el bulbo de la bomba de combustible manual (5) por lo menos cinco veces.

Arranque



- Coloque la unidad sobre el suelo de modo que quede bien apoyada.
- Ponga el pie izquierdo en el bastidor de mango
- Coloque la mano izquierda en el bastidor de mango.
- Con la mano derecha tire lentamente del mango de arranque hasta que sienta una resistencia definitiva y en seguida dele un tirón fuerte y rápido.

INDICACIÓN

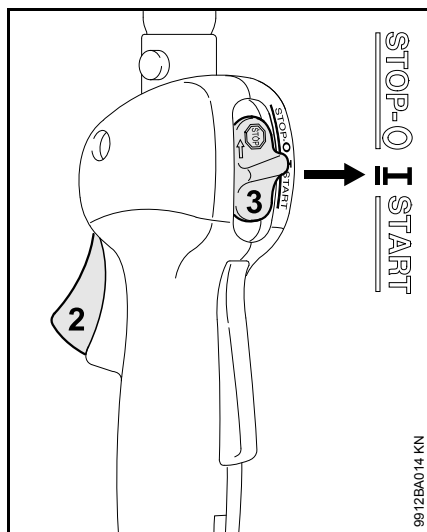
No tire de la cuerda de arranque totalmente hasta fuera, **se podría romper**.

- No deje que el mango de arranque salte bruscamente hacia atrás. Guíelo lentamente hacia el interior de la caja para que la cuerda de arranque se enrolle correctamente.
- Siga intentando el arranque.

Quando el motor empieza a encenderse

- Ajuste la perilla del estrangulador a $\bar{\pm}$ y
- continúe haciendo girar el motor hasta que arranque.

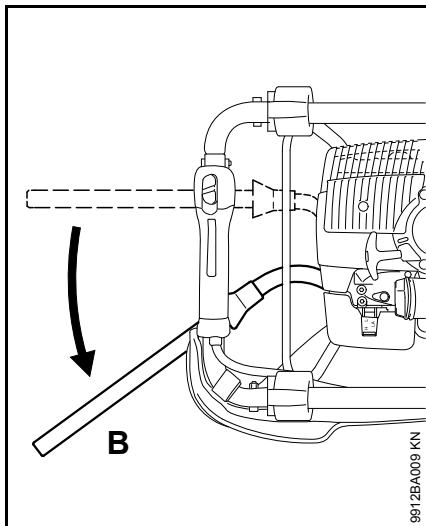
Tan pronto arranca



- Oprima el gatillo de aceleración momentáneamente (2) – el control deslizante (3) se desplaza a la posición de marcha I, y el motor pasa a aceleración de marcha en vacío.

INDICACIÓN

Debido a que el freno de barrena todavía está activado, el motor deberá volver a velocidad de marcha en vacío **inmediatamente** – de lo contrario es posible dañar el embrague.



- Apoye la máquina en la punta de la barrena.
- Suelte el freno de barrena moviendo la palanca accionadora a la posición **B**. Su motoperforadora está lista para trabajar.

Asegúrese de que el carburador esté correctamente ajustado. La barrena no debe girar cuando el motor está funcionando a marcha en vacío.

Parada del motor

- Mueva el control deslizante a **STOP-0**.

A temperaturas ambiente muy bajas

- Cuando se arranca el motor, oprima el gatillo de aceleración momentáneamente para desengranar la **posición de arranque del acelerador** – el control deslizante se desplaza a la posición de marcha I, y el motor retorna a aceleración de marcha en vacío.
- Abra el acelerador ligeramente.
- Caliente el motor durante un intervalo corto.

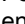
Si el motor no arranca:

Si no se mueve la perilla del estrangulador a $\bar{\pm}$ en un tiempo suficientemente corto después que el motor ha empezado a encenderse, el motor se encuentra "ahogado".

- Ajuste la perilla del estrangulador a $\bar{\pm}$ y
- Ponga el control deslizante, el bloqueo del gatillo de aceleración y el gatillo de aceleración en la posición de aceleración de arranque.
- Arranque el motor tirando de la cuerda de arranque rápidamente, pueden ser necesarios unos 10 a 20 tirones.

Si el motor todavía no arranca

- Mueva el control deslizante a **STOP-0**.
- Quite la bujía – vea "Bujía".
- Seque la bujía.

- Haga girar el motor varias veces con el arrancador para despejar la cámara de combustión.
- Vuelva a colocar la bujía – vea "Bujía".
- Mueva el control deslizante a **START**.
- Ponga la perilla del estrangulador en  – aun si el motor está frío.
- Ahora arranque el motor.

Ajuste del cable del acelerador

- Revise el ajuste del cable del acelerador – vea el capítulo "Ajuste del cable del acelerador".

Si se ha dejado que se agote el combustible y se ha vuelto a llenar el tanque

- Después de llenar el tanque, oprima el bulbo de la bomba de combustible por lo menos cinco veces, aunque el bulbo esté lleno de combustible.
- Ajuste la perilla del estrangulador según la temperatura del motor.
- Ahora arranque el motor.

Instrucciones para el uso

Durante el período de rodaje

Una máquina nueva de fábrica no debe hacerse funcionar a velocidad alta (aceleración máxima sin carga) por el lapso que tome llenar el tanque tres veces. Esto evita la imposición de cargas innecesariamente altas durante el período de rodaje. Ya que todas las piezas móviles deben asentarse durante el período de rodaje inicial, durante este tiempo la resistencia causada por fricción en el motor es más elevada. El motor desarrolla su potencia máxima después de haber llenado el tanque de 5 a 15 veces.

Durante el trabajo

Después de un período largo de funcionamiento con el acelerador a fondo, deje funcionar el motor por un rato en marcha en vacío de modo que el calor en el motor sea disipado por la corriente de aire de enfriamiento. Esto ayuda a evitar que los componentes montados en el motor (encendido, carburador) sufran sobrecargas térmicas.

Después de terminar el trabajo

Espere hasta que el motor se enfríe. Vacíe el tanque de combustible. Guarde la máquina en un lugar seco. Revise el apriete de todos los tornillos y las

tuerzas accesibles (no los tornillos de ajuste) en intervalos regulares y vuelva a apretarlos, de ser necesario.

Trabajo con la varilla de extensión (accesorio especial)

No coloque la varilla de extensión hasta que la longitud total de la barrena esté en el agujero.



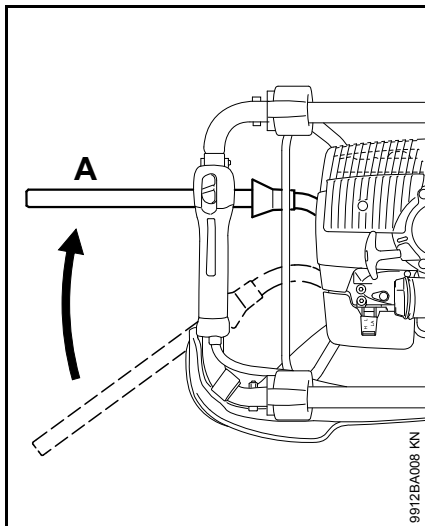
ADVERTENCIA

Comenzar a realizar un agujero con la varilla de extensión colocada aumenta el riesgo de lesiones personales debido a que la unidad se encontrará a la altura del pecho y no podrá ser controlada de manera apropiada. Por el mismo motivo, la varilla de extensión debe retirarse antes de extraer la barrena del agujero.

Liberación de una barrena atascada

Si la barrena se atasca en el hoyo

- Apague el motor de inmediato
- Mueva el control deslizante a **STOP-0**.

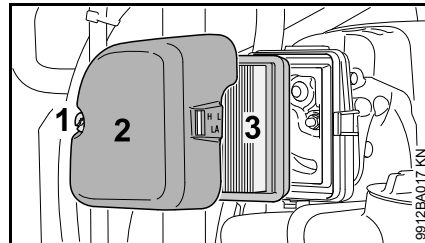


- Coloque la palanca accionadora en **A** – el freno de barrena está activado
- Gire toda la barrena en sentido contrario a las agujas del reloj hasta liberarla nuevamente
- Una vez que se ha liberado la barrena atascada, compruebe que el freno de barrena funcione correctamente – vea "Freno de barrena"

Sustitución del filtro de aire

Si se nota una pérdida considerable de la potencia del motor

- Quite el acolchado del bastidor del mango



- Desenrosque el tornillo (1) y retire la cubierta (2) del filtro – el tornillo sujeta a la cubierta del filtro para evitar que se extravíe
- Quite la tierra suelta del interior de la cubierta (2) y de alrededor del filtro (3)
- Quite y revise el filtro de aire (3) – sustitúyalo si está sucio o dañado
- Coloque el filtro de aire (3)
- Coloque la cubierta (2) en el filtro
- Enrosque el tornillo (1) y apriételo
- Coloque el acolchado – consulte "Armado de la máquina"

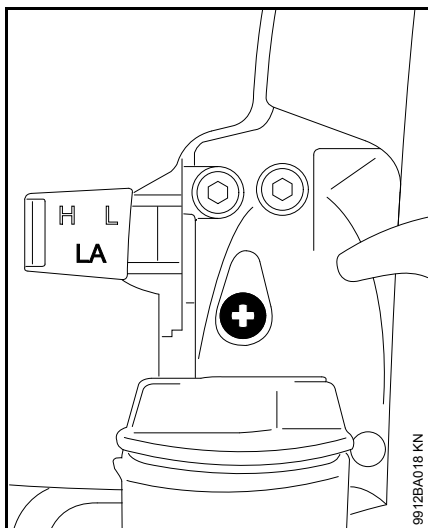
Gestión del motor

Las emisiones de gases de escape son controladas por el diseño de parámetros y componentes fundamentales del motor (por ej. carburación, encendido, regulación y regulación de las válvulas o la lumbreira) sin la adición de ningún equipo importante.

Ajuste del carburador

El carburador de la máquina ha sido ajustado en la fábrica para ofrecer el rendimiento y la eficiencia de uso de combustible óptimos en todas las condiciones.

Ajuste de la velocidad de marcha en vacío



El motor se para durante el funcionamiento a marcha en vacío

- Gire el tornillo de ajuste de marcha en vacío (LA) lentamente en sentido horario hasta que el motor funcione de modo suave.

La barrena gira cuando el motor está a marcha en vacío

- Gire el tornillo de ajuste de marcha en vacío (LA) lentamente en sentido contrahorario hasta que la barrena deje de moverse.

! ADVERTENCIA

Si la barrena sigue girando con el motor en marcha en vacío después de llevarse a cabo el ajuste, pida que un concesionario de mantenimiento revise la máquina.

Bujía

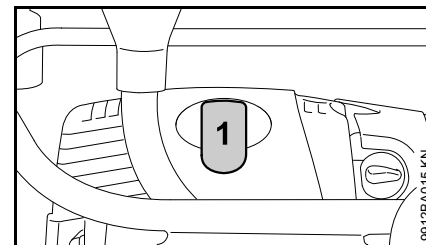
Si el motor pierde potencia, es difícil arrancarlo o funciona de modo irregular a ralentí, revise la bujía primero.

Instale una bujía nueva después de aprox. 100 horas de funcionamiento, o más temprano si los electrodos están muy gastados.

Si la mezcla del combustible es incorrecta (demasiado aceite en la gasolina), el filtro de aire está sucio, y las condiciones de trabajo no son favorables (especialmente a aceleraciones intermedias) se afecta la condición de la bujía. Estos factores permiten la formación de depósitos en la punta aislante, los cuales pueden perjudicar el rendimiento.

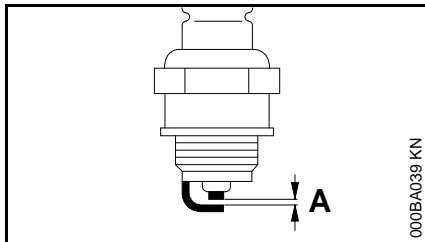
Retiro de la bujía

- Mueva el control deslizante a **STOP-0**.



- Desconecte el casquillo de la bujía (1)
- Destornille la bujía

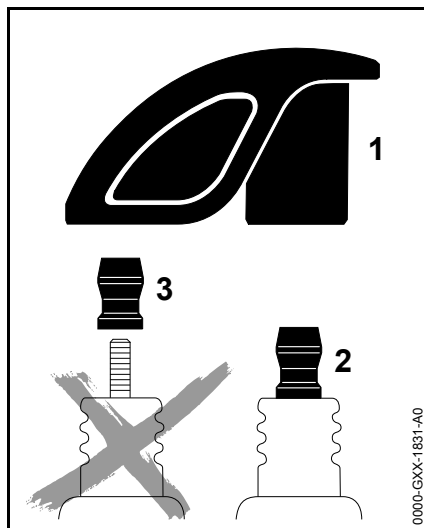
Revisión de la bujía



- Limpie la bujía si está sucia.
- Revise la separación entre electrodos (A) y ajústela de ser necesario – vea el capítulo "Especificaciones".
- Utilice únicamente bujías tipo resistencia cuyo margen de rendimiento sea el aprobado.

Corrija los problemas que hayan causado la contaminación de la bujía:

- demasiado aceite en la mezcla de combustible,
- filtro de aire sucio,
- condiciones desfavorables de funcionamiento, por ejemplo, funcionando bajo carga parcial.



! ADVERTENCIA

Para reducir el riesgo de incendio y de quemaduras, utilice solamente las bujías autorizadas por STIHL. Siempre inserte el casquillo de la bujía (1) bien apretado en el borne de la bujía (2).

No use una bujía con un borne adaptador SAE desmontable (3). Se puede crear un arco voltaico y encender los vapores del combustible, provocando un incendio. Esto podría causar lesiones personales graves o daños graves a la propiedad.

- Use únicamente bujías de tipo resistor con bornes sólidos, sin roscas.

Instalación de la bujía

- Atornille a fondo la bujía, coloque el casquillo y empújelo firmemente en su lugar.

Funcionamiento del motor

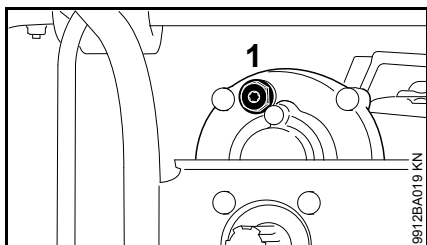
Si la marcha del motor sigue siendo insatisfactoria después de haberle dado mantenimiento al filtro y luego de haber ajustado correctamente el carburador y el cable del acelerador, la causa podría hallarse en el silenciador.

Solicite al concesionario de servicio que revise si hay contaminación (coquización) en el silenciador.

STIHL recomienda que solamente los concesionarios STIHL autorizados efectúen los trabajos de mantenimiento y reparación.

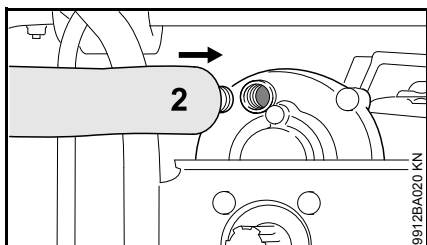
Lubricación de la caja de engranajes

- Revise el nivel de grasa periódicamente – aproximadamente cada 50 horas de funcionamiento.



- Destornille el tapón de llenado (1).

Si no se ve grasa en el interior del tapón de llenado:



- Aplique el tubo (2) de lubricante para engranajes STIHL al agujero de llenado.
- Aplique 5-10 g (1/4 oz) de grasa al interior de la caja de engranajes.
- No llene completamente con grasa la caja de engranajes.
- Vuelva a colocar el tapón de llenado y apriételo firmemente.

Almacenamiento de la máquina

Para intervalos de 3 meses o más

- Quite la herramienta perforadora.
- Vacíe y limpie el tanque de combustible en una zona bien ventilada.
- Deseche el combustible de acuerdo con los requerimientos locales de protección del medio ambiente.
- Haga funcionar el motor hasta que el carburador se seque. Esto ayuda a evitar que los diafragmas del carburador se peguen.
- Limpie la máquina a fondo - preste atención especial a las aletas del cilindro y al filtro de aire.
- Guarde la máquina en un lugar seco y elevado, o bajo llave, fuera del alcance de los niños y de otras personas no autorizadas.

Inspección y mantenimiento por el concesionario

Trabajos de mantenimiento

STIHL recomienda que solamente los concesionarios STIHL autorizados efectúen los trabajos de mantenimiento y reparación.

Recogedor de combustible en el depósito

- Cada año, pida que le sustituyan el recogedor de combustible en el depósito

Parachispas en el silenciador

- Si el rendimiento del motor se deteriora, revise el chispero en el silenciador

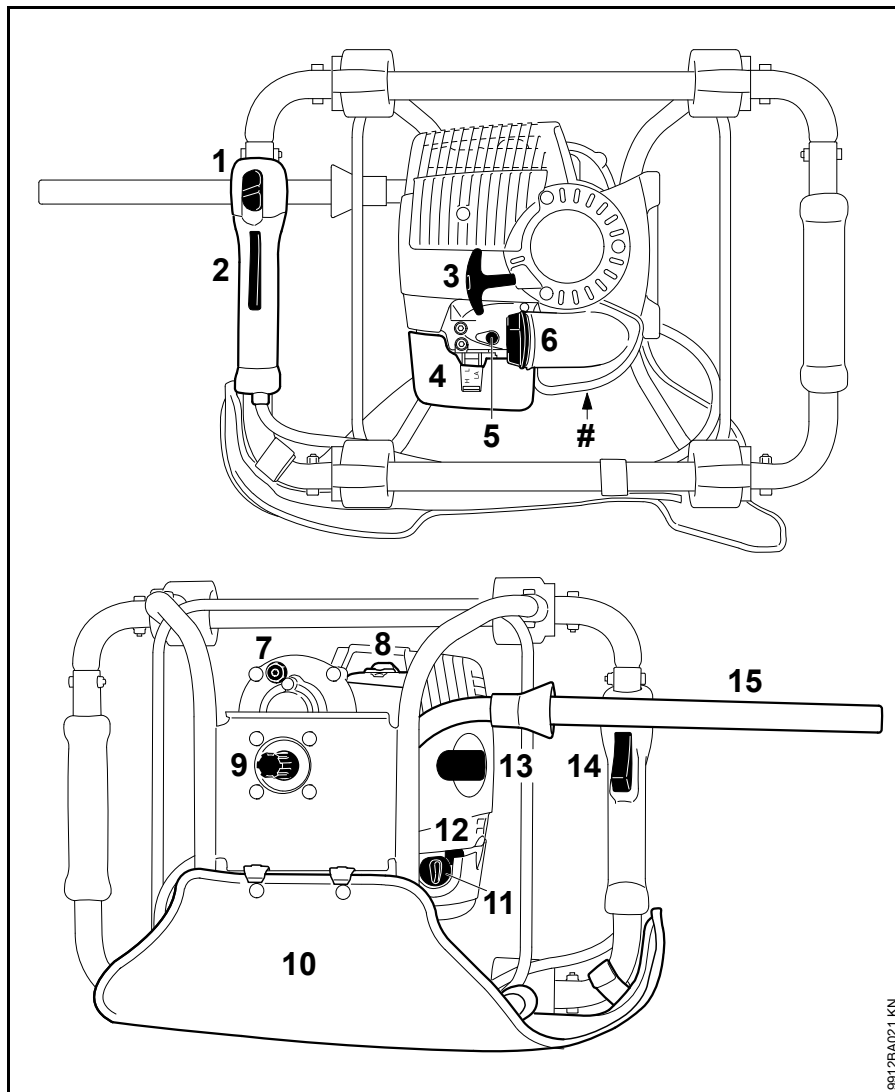
Información para mantenimiento

Los intervalos que se indican a continuación corresponden únicamente a condiciones normales de funcionamiento. Si la jornada diaria es más prolongada que lo normal, o bien si las condiciones son extremas (zonas con demasiado polvo, etc.), acorte apropiadamente los intervalos indicados.		antes de comenzar el trabajo	después de completar el trabajo o diariamente	después de cada parada para cargar combustible	semanalmente	mensualmente	cada 12 meses	si hay problemas	si presenta daños	según se requiera
Máquina completa	Inspección visual (condición general, fugas)	X		X						
	Limpiar		X							
Freno de barrena	Comprobar el funcionamiento	X		X						
	Solicitar al concesionario de servicio su mantenimiento ¹⁾									X
Mango de control	Comprobar el funcionamiento	X		X						
Filtro de aire	Reemplazar								X	X
Bomba de combustible manual (si la tiene)	Revisar	X								
	Solicitar al concesionario de servicio su reparación ¹⁾								X	
Recogedor en depósito de combustible	Solicitar al concesionario de servicio su revisión ¹⁾							X		
	Solicitar al concesionario de servicio su sustitución ¹⁾					X				X
Depósito de combustible	Limpiar					X				
Carburador	Comprobar ajuste de ralentí – el árbol de perforación no debe girar	X								
	Ajustar la marcha en vacío									X
Bujía	Ajustar la distancia entre electrodos							X		
	Cambiar después de aprox. cada 100 horas de funcionamiento									
Parachispas en el silenciador	Solicitar al concesionario de servicio su revisión ¹⁾							X		
	Solicitar al concesionario de servicio su limpieza o sustitución ¹⁾								X	X
Todos los tornillos y tuercas accesibles (salvo los tornillos de ajuste)	Volver a apretar									X

Los intervalos que se indican a continuación corresponden únicamente a condiciones normales de funcionamiento. Si la jornada diaria es más prolongada que lo normal, o bien si las condiciones son extremas (zonas con demasiado polvo, etc.), acorte apropiadamente los intervalos indicados.		antes de comenzar el trabajo	después de completar el trabajo o diariamente	después de cada parada para cargar combustible	semanalmente	mensualmente	cada 12 meses	si hay problemas	si presenta daños	según se requiera
Elementos antivibración	Revisar	X						X		X
	Solicitar al concesionario de servicio su sustitución ¹⁾								X	
Caja de engranajes	Relubricar									X
Arbol de perforación	Limpiar		X							
Barrena	Revisar	X								
	Reemplazar									X
Etiquetas de seguridad	Reemplazar							X		

¹⁾ STIHL recomienda acudir a un concesionario STIHL autorizado para servicio.

Componentes importantes



- 1 Control deslizante
 - 2 Bloqueo de gatillo de aceleración
 - 3 Mango de arranque
 - 4 Cubierta del filtro de aire
 - 5 Tornillo de ajuste del carburador
 - 6 Tapa de llenado de combustible
 - 7 Tapón roscado
 - 8 Silenciador con chispero
 - 9 Árbol de perforación
 - 10 Almohadilla
 - 11 Perilla de estrangulador
 - 12 Bomba de combustible manual
 - 13 Casquillo de bujía
 - 14 Gatillo de aceleración
 - 15 Palanca accionadora de freno de barrena
- # Número de serie

9912BA02.1 KN

Definiciones

- 1 Control deslizante**
Para aceleración de arranque, marcha y parada. Mantiene el acelerador parcialmente abierto durante el arranque y apaga el encendido para detener el motor.
- 2 Bloqueo de gatillo de aceleración**
Debe ser oprimido antes de poder activar el gatillo de aceleración.
- 3 Mango de arranque**
El mango del arrancador usado para arrancar el motor.
- 4 Cubierta del filtro de aire**
Cubre y protege el elemento del filtro de aire.
- 5 Tornillo de ajuste del carburador**
Ajuste de la velocidad de marcha en vacío
- 6 Tapa de llenado de combustible**
Para tapar el depósito de combustible.
- 7 Tapón roscado**
Sella la abertura de llenado de grasa de la caja de engranajes.
- 8 Silenciador con chispero**
El silenciador reduce los ruidos del tubo de escape y desvía los gases de escape lejos del operador. El chispero está diseñado para reducir el riesgo de incendios.
- 9 Árbol de perforación**
Para fijar el portabrocas o adaptador al taladro motorizado.

- 10 Almohadilla**
Ayuda a amortiguar el muslo contra el bastidor de mango.
- 11 Perilla de estrangulador**
Facilita el arranque del motor al enriquecer la mezcla.
- 12 Bomba de combustible manual**
Suministra alimentación adicional de combustible para el arranque en frío.
- 13 Casquillo de bujía**
Conecta la bujía al alambre de encendido.
- 14 Gatillo de aceleración**
Regula la velocidad del motor.
- 15 Palanca accionadora de freno de barrena**
Palanca para aplicar y soltar el freno de barrena.

Especificaciones

EPA / CEPA

El período de cumplimiento de emisiones indicado en la etiqueta de cumplimiento de emisiones es la cantidad de horas de funcionamiento para la cual la máquina ha demostrado la conformidad con los requerimientos de emisiones del Gobierno federal de los EE.UU.

Categoría

A = 300 horas

B = 125 horas

C = 50 horas

CARB

El período de cumplimiento de emisiones empleado en la etiqueta del índice de aire CARB tiene las siguientes definiciones:

Extended = 300 horas

Intermediate = 125 horas

Moderate = 50 horas

Motor

Motor STIHL de un cilindro, cuatro tiempos, lubricado por una mezcla de gasolina con aceite

Cilindrada:	36,3 cm ³ (2,22 pulg ³)	Relación entre engranajes:	47,5:1
Diámetro:	43 mm (1,693 pulg)	Velocidad máx. del árbol:	200 r/min
Carrera:	25 mm (0,984 pulg)	Par motor máx. del árbol de perforación:	81 Nm (59,74 lb-pie)
Potencia del motor según ISO 7293:	1,4 kW (1,88 bhp) a 8.500 r/min	Lubricación:	Lubricante para engranajes STIHL para cortadores de matorrales
Marcha en vacío:	2800 r/min		
Velocidad de apagado:	9.500 r/min		

Sistema de encendido

Encendido por magneto electrónico (sin disyuntor)

Bujía (tipo resistencia): NGK CMR 6H

Distancia entre electrodos: 0,5 mm
(0,020 pulg)

Sistema de combustible

Carburador de diafragma de todas posiciones con bomba de combustible integral

Capacidad del tanque de combustible: 0,53 l (17,9 oz fl)

Mecanismo de perforación

Engranajes rectos de 3 etapas

Peso

Seco, sin herramienta de perforación (barrena): 9,9 kg
(21,8 lb)

Dimensiones

Longitud con bastidor de mango: 400 mm
(15,748 pulg)


Ancho con bastidor de mango: 530 mm
(20,866 pulg)

Altura sin herramienta de perforación (barrena): 365 mm
(14,370 pulg)

Información de reparación

Los usuarios de esta máquina deben efectuar únicamente los trabajos de mantenimiento descritos en este manual. STIHL recomienda que un concesionario de servicio STIHL efectúe los demás trabajos de reparación.

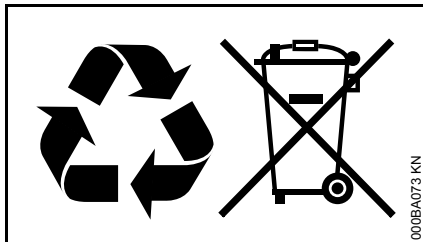
Salvo por los sistemas de control de emisiones y sus componentes, los cuales están gobernados por la Garantía Federal de Control de Emisiones, la cual se encuentra en otra parte de este manual. Los reclamos de garantía presentados después de realizadas las reparaciones serán aceptados únicamente si las mismas fueron ejecutadas por un concesionario de servicio autorizado STIHL utilizando piezas de repuesto genuinas de STIHL.

Los repuestos genuinos STIHL se identifican por medio del número de pieza STIHL, el logotipo **STIHL**® y el símbolo de piezas STIHL . El símbolo aparece solo en algunas piezas pequeñas.

Para reparar algún componente del sistema de control de emisiones de aire, consulte la garantía de sistemas de emisiones dada en este manual.

Desecho

Respete todas las leyes y los reglamentos sobre eliminación de desechos que correspondan a su país.



No se debe botar los aparatos STIHL en el basurero. Lleve el producto, los accesorios y el embalaje a un vertedero autorizado para reciclarlos y contribuir al cuidado del medio ambiente.

Comuníquese con un concesionario de servicio de STIHL para obtener la información más actualizada sobre la eliminación de desechos.

Declaración de garantía de STIHL Incorporated sobre sistemas de control de emisiones según normas Federales

Sus derechos y obligaciones de garantía

La Agencia de Protección del Medio Ambiente (EPA) de los EE.UU. y STIHL Incorporated se complacen en explicarle la garantía del sistema de control de emisiones instalado en el motor de su equipo. En los EE.UU., los nuevos motores pequeños para equipos de uso fuera de carretera modelos 1997 y posteriores deben estar diseñados, construidos y equipados, al tiempo de la venta, de conformidad con los reglamentos de la EPA de los EE.UU. para los motores pequeños de uso fuera de carretera. El motor del equipo debe carecer de defectos en el material y la fabricación que puedan causar el incumplimiento de las normas de la EPA de los EE.UU. durante los primeros dos años de uso del motor a partir de la fecha de compra por el último comprador.

STIHL Incorporated debe garantizar el sistema de control de emisiones en el motor pequeño para uso fuera de carretera por el intervalo mencionado más arriba, siempre que dicho motor no haya estado sujeto a maltrato, negligencia o cuidado inapropiado.

El sistema de control de emisiones de su máquina incluye piezas tales como el carburador y el sistema de encendido.

Además puede incluir mangueras, conectores y otros conjuntos asociados con el control de emisiones.

En los casos de existir una condición amparada bajo garantía, STIHL Incorporated reparará el motor pequeño para equipo de uso fuera de carretera sin costo alguno, incluido el diagnóstico (si el trabajo de diagnóstico fue realizado por un concesionario autorizado), las piezas y la mano de obra.

Cobertura de garantía del fabricante

En los EE.UU., los motores pequeños para equipos de uso fuera de carretera modelos 1997 y posteriores también están garantizados por dos años. En el caso de encontrarse defectos en cualquiera de las piezas del motor relacionadas con el sistema de control de emisiones, la pieza será reparada o sustituida por STIHL Incorporated sin costo alguno.

Responsabilidades del usuario relativas a la garantía

Como propietario de motor pequeño para equipo de uso fuera de carretera, usted tiene la responsabilidad de realizar el mantenimiento requerido descrito en su manual de instrucciones. STIHL Incorporated le recomienda guardar todos los recibos comprobantes de los trabajos de mantenimiento hechos a su motor pequeño para equipo de uso fuera de carretera, pero STIHL Incorporated no puede negar garantía basado en el solo hecho de faltar los

recibos o del incumplimiento del propietario de realizar todos los trabajos de mantenimiento programados.

El uso de cualquier pieza de repuesto o servicio cuyo comportamiento y durabilidad sean equivalentes está permitido en trabajos de mantenimiento o reparación no contemplados en la garantía, y no reducirá las obligaciones de la garantía del fabricante del motor.

Sin embargo, como propietario del motor pequeño para equipo de uso fuera de carretera usted debe ser consciente de que STIHL Incorporated puede negarle cobertura de garantía si dicho motor o una pieza del mismo ha fallado debido a maltrato, descuido, mantenimiento inadecuado o modificaciones no autorizadas.

Usted es responsable de llevar el motor pequeño para equipo de uso fuera de carretera a un centro de servicio STIHL tan pronto surja el problema. Las reparaciones bajo garantía serán realizadas en un tiempo razonable, sin exceder de 30 días.

Ante cualquier duda respecto a sus derechos y responsabilidades bajo esta garantía, sírvase contactar al representante de atención al cliente STIHL llamando al 1-800-467-8445, o si lo prefiere puede escribir a

STIHL Inc.,
536 Viking Drive, P.O. Box 2015,
Virginia Beach, VA 23450-2015 EE.UU.
www.stihlusa.com

Cobertura por STIHL Incorporated

STIHL Incorporated garantiza al último comprador y a cada comprador subsiguiente que el motor pequeño para equipo de uso fuera de carretera está diseñado, construido y equipado, al tiempo de la venta, de conformidad con todos los reglamentos aplicables. Además, STIHL Incorporated garantiza al comprador inicial y a cada comprador subsiguiente que el motor está libre de defectos en el material y fabricación que puedan causar el incumplimiento de los reglamentos aplicables durante un período de dos años.

Período de garantía

El período de garantía comienza en la fecha en que el motor del equipo utilitario es entregado a usted y usted firma y remite la tarjeta de garantía a STIHL.

Si cualquier componente relacionado con el sistema de control de emisiones está defectuoso, el mismo será sustituido por STIHL Incorporated sin costo alguno para el propietario. Cualquier pieza garantizada cuyo reemplazo no está programado como mantenimiento requerido, o que debe recibir únicamente inspección regular en el sentido de "reparar o sustituir según sea necesario", estará garantizada por el período de garantía. Cualquier pieza cuyo reemplazo está programado como mantenimiento requerido estará garantizada por el intervalo hasta el primer punto de reemplazo programado para esa pieza.

Diagnóstico

Como propietario, a usted no se le debe cobrar la mano de obra por los diagnósticos que determinen que una pieza garantizada está defectuosa. No obstante, si usted reclama garantía para un componente y se comprueba que la máquina no está defectuosa, STIHL Incorporated le cobrará el costo de la prueba del sistema de control de emisiones. El trabajo de diagnóstico mecánico se realiza en un centro de servicio autorizado por STIHL. La prueba del sistema de control de emisiones se realiza ya sea en la fábrica de STIHL Incorporated o en un laboratorio de ensayos independiente.

Trabajo bajo garantía

STIHL Incorporated reparará los defectos amparados por la garantía en cualquier estación de garantía o centro de servicio autorizado por STIHL. Todo trabajo de este tipo se hará gratis para el propietario siempre que se determine que la pieza cubierta por la garantía está defectuosa.

Se puede usar cualquier pieza de repuesto aprobada por el fabricante o equivalente en las piezas relacionadas con el sistema de control de emisiones, y debe ser suministrada gratis al propietario. STIHL Incorporated es responsable por daños a otros componentes del motor causados por la falla de una pieza garantizada que todavía está bajo garantía.

La lista siguiente define específicamente las piezas garantizadas y relacionadas con las emisiones:

- Filtro de aire
- Carburador (si corresponde)
- Bomba de combustible
- Estrangulador (sistema de enriquecimiento de arranque en frío) (si corresponde)
- Varillajes de control
- Múltiple de admisión
- Sistema de encendido por magneto o electrónico (Módulo de encendido o unidad de control electrónica)
- Volante
- Bujía
- Válvula de inyección (si corresponde)
- Bomba de inyección (si corresponde)
- Carcasa del acelerador (si corresponde)
- Cilindro
- Silenciador
- Convertidor catalítico (si lo tiene)
- Tanque de combustible
- Tapa de tanque de combustible
- Línea de combustible
- Adaptadores de línea de combustible
- Abrazaderas
- Sujetadores/pernos

Dónde presentar el reclamo para servicio bajo garantía

Lleve el producto a cualquier centro de servicio autorizado por STIHL y presente la tarjeta de garantía firmada.

Requerimientos de mantenimiento

Las instrucciones presentadas en este manual se basan en la aplicación de la mezcla recomendada para motores de 2 tiempos (vea también la instrucción "Combustible"). Las discrepancias de estas recomendaciones con respecto a la calidad y la proporción de la mezcla de combustible y aceite pueden exigir intervalos de mantenimiento más cortos.

Limitaciones

Esta garantía de los sistemas de control de emisiones no cubrirá ninguno de los puntos siguientes:

- reparación o sustitución requerida debido a maltrato, negligencia o falta del mantenimiento requerido,
- reparaciones mal hechas o sustituciones contrarias a las especificaciones de STIHL Incorporated que afecten desfavorablemente el funcionamiento y/o la durabilidad, y las alteraciones o modificaciones no recomendadas o aprobadas por escrito por STIHL Incorporated,

y

- la sustitución de piezas y otros servicios y ajustes necesarios para el mantenimiento requerido en y después del primer punto de reemplazo programado.

Marcas comerciales

Marcas registradas de STIHL

STIHL®

STIHL®



La combinación de colores anaranjado-gris (Números de registro EE.UU. 2,821,860; 3,010,057, 3,010,058, 3,400,477; y 3,400,476)



AutoCut®

FARM BOSS®

iCademy®

MAGNUM®

MasterWrench Service®

MotoMix®

OILOMATIC®

Rock Boss®

STIHL Cutquik®

STIHL DUROMATIC®

STIHL Quickstop®

STIHL ROLLOMATIC®

STIHL WOOD BOSS®

TIMBERSPORTS®

WOOD BOSS®

YARD BOSS®

Algunos de las marcas comerciales de STIHL por ley común



4-MIX™

BioPlus™

Easy2Start™

EasySpool™

ElastoStart™

Ematic™

FixCut™

IntelliCarb™

Master Control Lever™

Micro™

Pro Mark™

Quad Power™

Quiet Line™

STIHL M-Tronic™

STIHL OUTFITTERS™

STIHL PICCO™

STIHL PolyCut™

STIHL PowerSweep™

STIHL Precision Series™

STIHL RAPID™

STIHL SuperCut™

TapAction™

TrimCut™

Esta lista de marcas comerciales está sujeta a cambios.

Queda terminantemente prohibido todo uso de estas marcas comerciales sin el consentimiento expreso por escrito de ANDREAS STIHL AG & Co. KG, Waiblingen.

 **WARNING**

This product contains chemicals known to the State of California to cause cancer, birth defects or other reproductive harm.

 **ADVERTENCIA**

Este producto contiene sustancias químicas consideradas por el Estado de California como causantes de cáncer, defectos de nacimiento u otra toxicidad reproductora.

 **WARNING**

The engine exhaust from this product contains chemicals known to the State of California to cause cancer, birth defects or other reproductive harm.

 **ADVERTENCIA**

El gas de escape del motor de esta máquina contiene productos químicos que en el estado de California son considerados como causantes de cáncer, defectos de nacimiento u otros efectos nocivos para los órganos de la reproducción.

0458-429-8621-A

englisch / spanisch USA



www.stihl.com



0458-429-8621-A